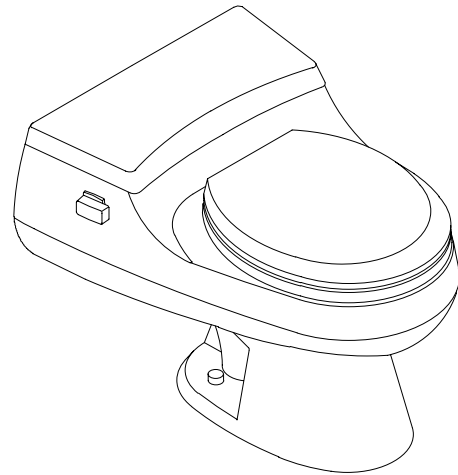


### PRESSURE LITE™ TOILET

# K-3404

#### FEATURES

- 12" rough-in
- Vitreous china
- Round front bowl
- Pressure Lite™ system
- Includes Lustra™ seat
- One-piece
- Less supply
- 1.6 gpf
- Includes polished chrome trip lever



#### CODES/STANDARDS APPLICABLE

Specified model meets or exceeds the following:

- ASME/ANSI A112.19.2M
- ASME/ANSI A112.19.6M
- Energy Policy Act of 1992 (EPACT)
- IAPMO/UPC
- States of Connecticut, Massachusetts, New York, & Texas
- Cities of Los Angeles, CA; and New York, N.Y.

#### COLORS/FINISHES

- 0 White

#### Accessories:

- CP Polished Chrome
- PB Polished Brass
- Other Refer to Fixtures Price Book for additional colors

#### SPECIFIED MODEL:

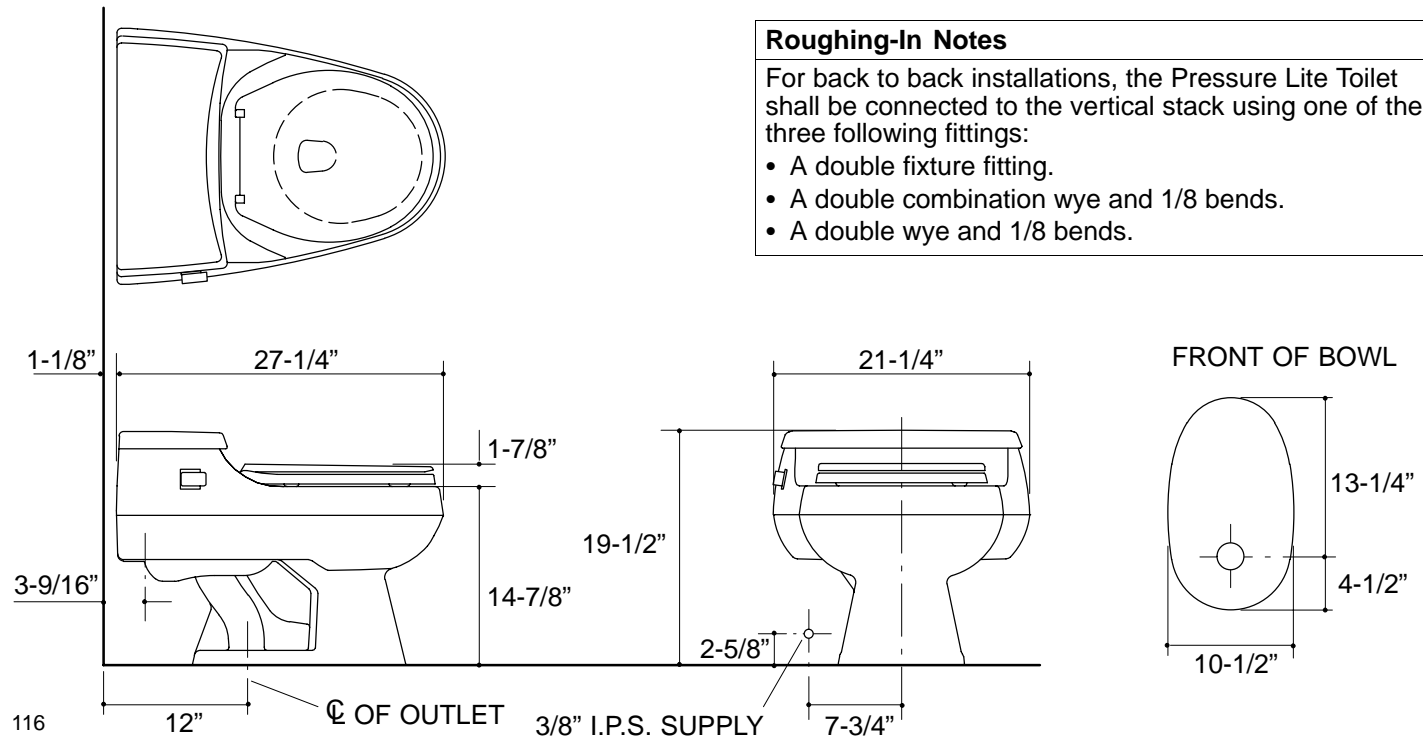
Model	Description	Colors/Finishes		
K-3404	Round front bowl toilet	<input type="checkbox"/> 0 White		
<b>Recommended Accessories</b>				
K-7637	Angle supply with stop	<input type="checkbox"/> CP	<input type="checkbox"/> PB	<input type="checkbox"/> Other_____
<b>Optional Accessories</b>				
K-9429	Trip lever (non-CP)	<input type="checkbox"/> PB	<input type="checkbox"/> Other_____	

#### PRODUCT SPECIFICATION:

The round front one-piece toilet shall be 12" rough-in with Kohler Pressure Lite™ system. Toilet shall be made of vitreous china. Toilet shall include Lustra™ seat. Toilet shall be 1.6 gpf. Toilet shall be less supply. Toilet shall include polished chrome trip lever. Toilet shall be Kohler Model K-3404-\_\_\_\_\_.

## PRODUCT INFORMATION

Fixture:	
Configuration	1-piece, round front
Gallons per flush	1.6 gallons
Passageway	2-1/4"
Water depth from rim	5-3/4"
Seat post hole centers	5-1/2"
Minimum static pressure required	25 p.s.i.
Maximum static pressure	80 p.s.i.
Included Components:	
Seat	K-4662
Tank cover	84146
Trip lever	K-9429
Bolt cap accessory pack	52048
Tank accessory pack	52265



## PRODUCT DIAGRAM