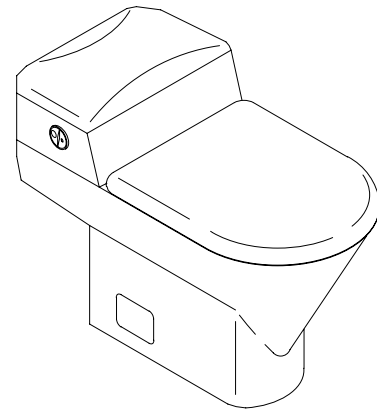


#### FEATURES

- 12" rough-in
- Vitreous china
- Elongated bowl
- Power Lite™ system (requires a 120 volt GFCI outlet)
- Includes seat and cover
- Includes Twin Touch® actuator to select either 1.1 gallon flush or 1.6 gallon flush
- One-piece
- Less supply



#### CODES/STANDARDS APPLICABLE

Specified model meets or exceeds the following:

- ASME/ANSI A112.19.2M
- ASME/ANSI A112.19.6M
- Energy Policy Act of 1992 (EPACT)
- IAPMO/UPC
- Underwriters Laboratories (UL)
- States of Massachusetts, New York, & Texas
- Cities of Los Angeles, CA
- New York State Accepted for Commercial Use per Environmental Conservation Law (A2816 of 8/2/95)

#### COLORS/FINISHES

- 0 White

#### Accessories:

- CP Polished Chrome
- PB Polished Brass
- Other Refer to Price Book for additional colors

#### SPECIFIED MODEL:

| Model                          | Description                   | Colors/Finishes                  |                             |                                     |
|--------------------------------|-------------------------------|----------------------------------|-----------------------------|-------------------------------------|
| K-3437                         | Elongated bowl toilet         | <input type="checkbox"/> 0 White |                             |                                     |
| <b>Recommended Accessories</b> |                               |                                  |                             |                                     |
| K-7637                         | Angle supply with stop        | <input type="checkbox"/> CP      | <input type="checkbox"/> PB | <input type="checkbox"/> Other_____ |
| <b>Optional Accessories</b>    |                               |                                  |                             |                                     |
| K-9433                         | Twin Touch™ Actuator (non-CP) | <input type="checkbox"/> PB      |                             |                                     |

#### PRODUCT SPECIFICATION:

The elongated one-piece toilet shall be 12" rough-in with Kohler Power Lite™ system. Toilet shall be made of vitreous china. Toilet shall include seat and cover. Toilet shall include Twin Touch actuator to select either 1.1 gallon flush or 1.6 gallon flush. Toilet shall be less supply. Toilet shall be Kohler Model K-3437-\_\_\_\_\_.

# TROCADERO™

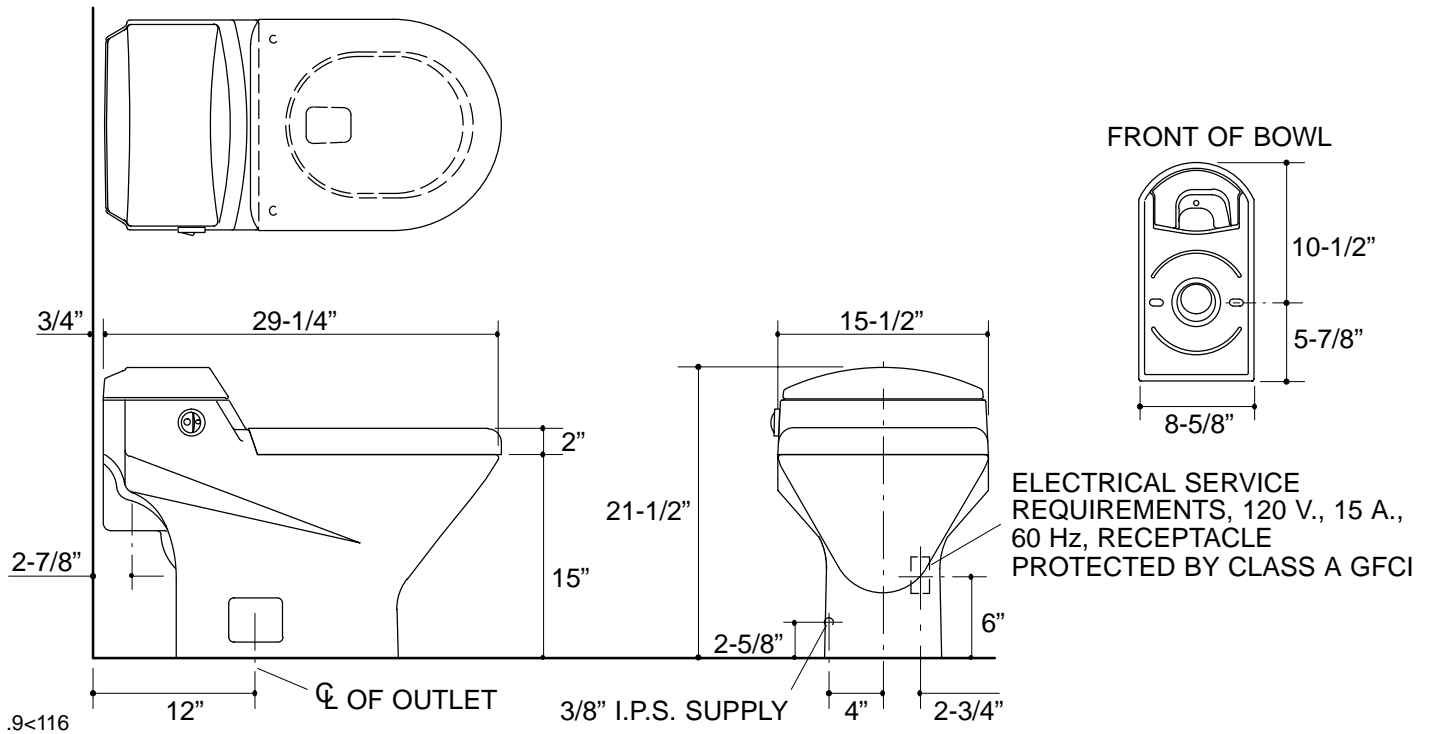
## REQUIRED ELECTRICAL SERVICE

Dedicated circuit required, protected with Class A Ground-Fault Circuit-Interrupter (GFCI):

|            |                     |
|------------|---------------------|
| Receptacle | 120 V., 15 A, 60 Hz |
|------------|---------------------|

## PRODUCT INFORMATION

|                                   |                    |     |    |     |
|-----------------------------------|--------------------|-----|----|-----|
| Fixture:                          |                    |     |    |     |
| Configuration                     | 1-piece, elongated |     |    |     |
| Gallons per flush                 | 1.1/1.6 gallons    |     |    |     |
| Passageway                        | 2-1/4"             |     |    |     |
| Water depth from rim              | 5-1/2"             |     |    |     |
| Seat post hole centers            | 12-5/8"            |     |    |     |
| Minimum running pressure required | 15 p.s.i.          |     |    |     |
| Included Components:              |                    |     |    |     |
| Seat                              | 82923              |     |    |     |
| Tank cover                        | 82383              |     |    |     |
| Twin Touch™ actuator              | K-9433             |     |    |     |
| Bolt cap accessory pack           | 42764              |     |    |     |
| Tank accessory pack               | 52265              |     |    |     |
| Pump                              | HP                 | V   | Hz | A   |
| 60 Hz                             | 1/5                | 120 | 60 | 8.5 |



## PRODUCT DIAGRAM