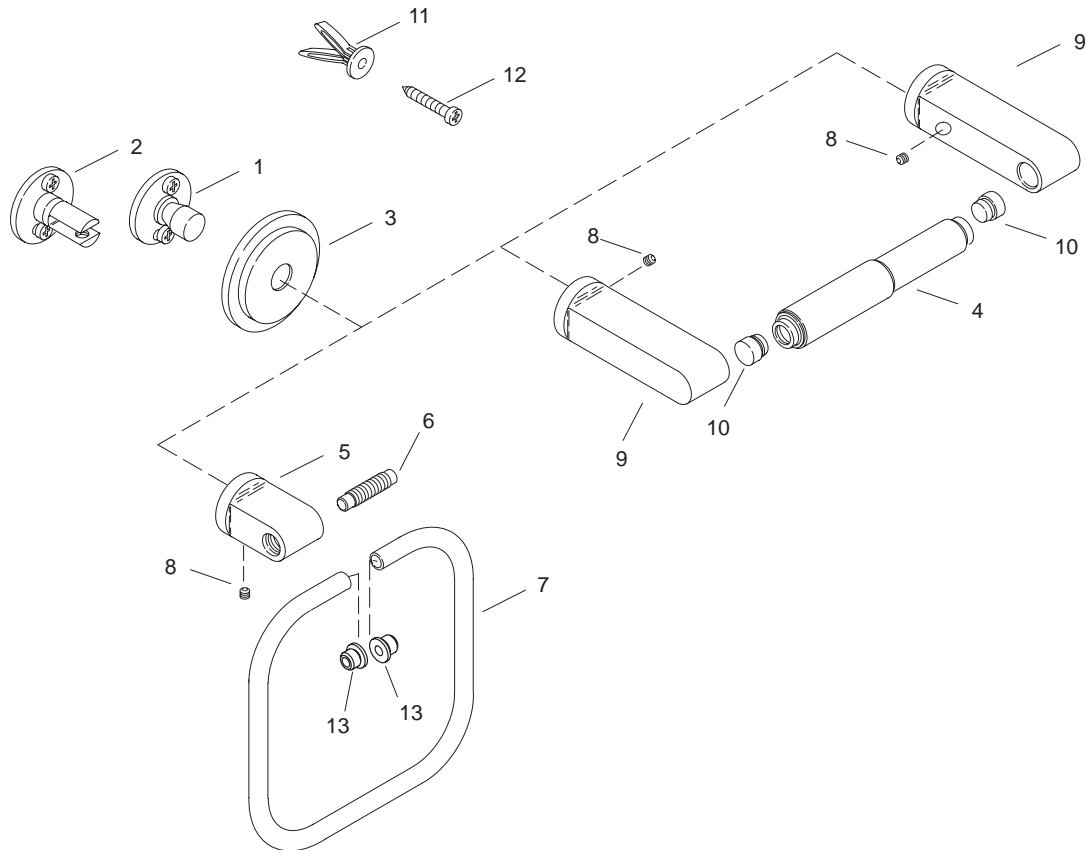


KOHLER[®] SERVICE PARTS

TABORET™ TOWEL RING & TISSUE HOLDER

K#	Towel Ring	Tissue Holder
K-8140-**-AA/BA	X	
K-8143-**-AA/BA		X



SERVICE PARTS

ITEM NO.	PART NO.	DESCRIPTION
1	58270-RP	Plate (K-8140/43-**-BA model)
2	56294-RP	Bracket (K-8140/43-**-AA model)
3	56299**	Escutcheon
4	50708-A	Spindle, White
	50708-B	Spindle, Black
5	56285**	Towel Ring Sleeve (K-8140-AA)
	55594**	Towel Ring Sleeve (K-8140-BA)
6	50638**	Bearing (K-8140-AA)
7	50637**	Towel Ring (K-8140-AA)
	58202**	Towel Ring (K-8140-BA)
8	56283	Screw
9	56289**	Sleeve
10	56298	Bearing
11	50608	Anchor
12	52971	Screw
13	59775	Bearing (K-8140-BA)

SERVICE KITS

PART NO.	ITEM NO.	QTY.	DESCRIPTION
56296			Spindle
	4	1 ea.	Spindle
	10	2 ea.	Bearing
50609			Anchor
	11	2 ea.	Anchor
	12	2 ea.	Screw
55639**			Towel Ring (K-8140-BA)
	5	1 ea.	Towel Ring Sleeve
	7	1 ea.	Towel Ring
	13	2 ea.	Bearing

**Finish/color code must be specified when ordering.