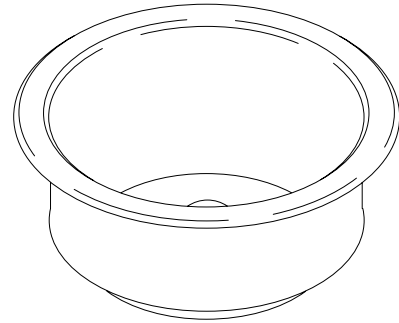


### FEATURES

- 18-3/8" diameter
- 20 gauge stainless steel in satin finish
- Self-rimming or undercounter
- With Hushcoat undercoat
- Installation hardware included for both types of installations
- No overflow, PVC tube and drain gasket included to cover overflow hole in faucet drain assembly
- With sealant



### CODES/STANDARDS APPLICABLE

Specified model meets or exceeds the following:

- IAPMO/UPC
- Canadian Standards Association (CSA)
- State of Massachusetts

### COLORS/FINISHES

- NA None Applicable

#### Accessories:

- CP Polished Chrome
- Other Refer to Faucets Price Book for additional finishes

### SPECIFIED MODEL:

Model	Description	Colors/Finishes
K-2612	Round lavatory	<input type="checkbox"/> NA

Optional Accessories		
K-8998	Trap	<input type="checkbox"/> CP <input type="checkbox"/> Other_____

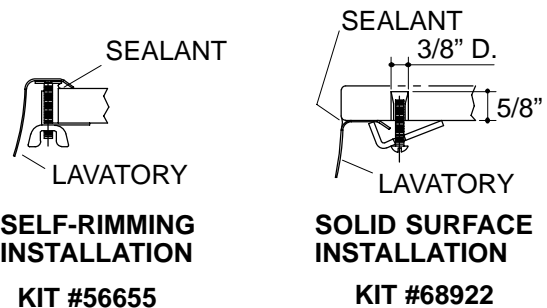
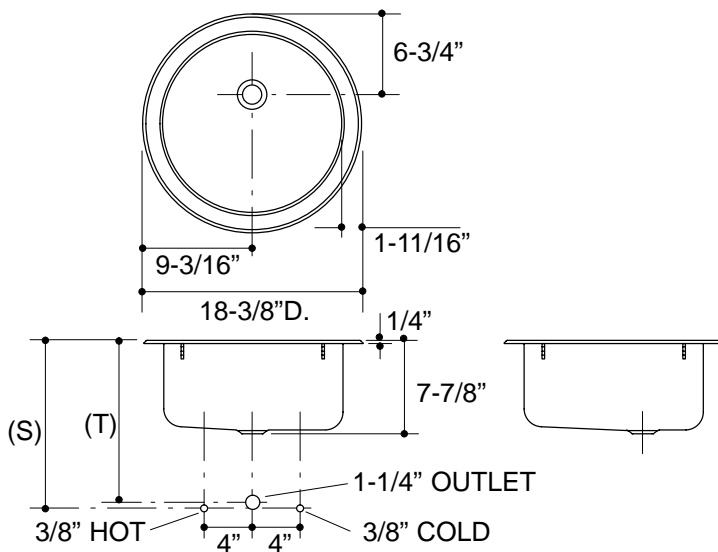
### PRODUCT SPECIFICATION:

The round lavatory shall be 18-3/8" in diameter. Lavatory shall be made of 20 gauge stainless steel in satin finish. Lavatory shall be either self-rimming or undercounter. Lavatory shall have Hushcoat undercoat. Lavatory shall include hardware for both types of installation. Lavatory shall have PVC tube and drain gasket to cover overflow hole in faucet drain assembly. Lavatory shall include sealant. Lavatory shall be Kohler Model K-2612-\_\_\_\_\_.

# FLAMENCO

## PRODUCT INFORMATION

Fixture*:		basin area	water depth
Lavatory		15" D.	7-1/2"
Outlet	1-5/8" D.		
* Approximate measurements for comparison only.			
Included Components:			
Basin clamp assembly (undercounter)		68922	
Basin clamp assembly (self-rimming)		56655	
Drain gasket		33507	
Tube		62603	
Cutout template		113392	



NOTE: WATERPROOF UNPROTECTED OVERHANG AREA OF THE UNDERSIDE OF WOOD COUNTER.

Roughing-In Notes
(T) Pop-up drain 13-1/2", drain 12-5/8".
(S) 14" (Based on 12" riser which may require cutting).
Supplied basin clamp assemblies require 1" minimum countertop thickness. Installer must supply hardware for thinner countertops.
Minimum 21" base cabinet required.

## PRODUCT DIAGRAM