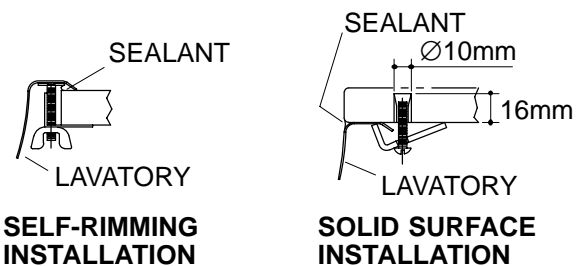
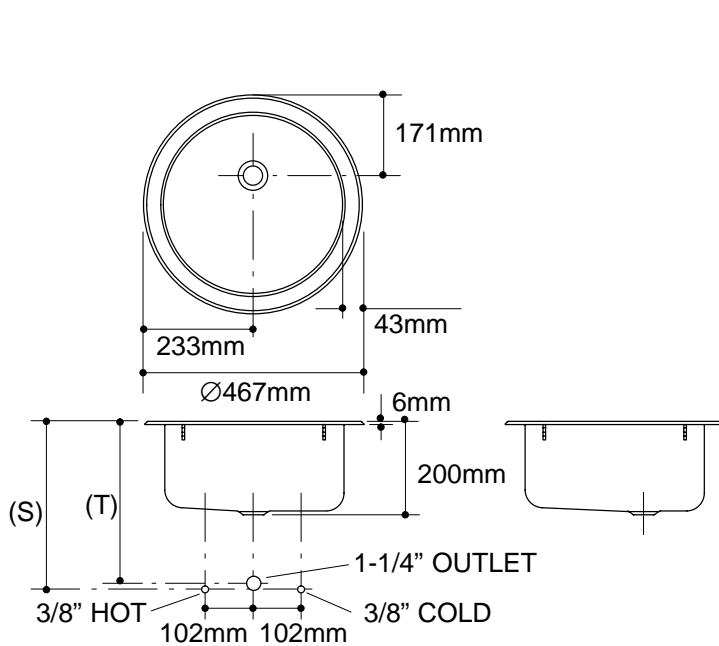


Product Information

Fixture*:		basin area	water depth
Lavatory		Ø381mm	191mm
Outlet	Ø41mm		
* Approximate measurements for comparison only.			
Included Components:			
Basin clamp assembly (undercounter)		68922	
Basin clamp assembly (self-rimming)		56655	
Drain gasket		33507	
Tube		62603	
Cutout template		113392	



**SELF-RIMMING
INSTALLATION**

**SOLID SURFACE
INSTALLATION**

KIT #56655

KIT #68922

**NOTE: WATERPROOF UNPROTECTED OVERHANG
AREA OF THE UNDERSIDE OF WOOD COUNTER.**

Roughing-In Notes

Fixture dimensions are nominal and conform to tolerances in ASME/ANSI Standard A112.19.3M.

(T) Pop-up drain 343mm, grid drain 321mm.

(S) 356mm (Based on 305mm riser which may require cutting).

Supplied basin clamp assemblies require 25mm minimum countertop thickness. Installer must supply hardware for thinner countertops.

Minimum 533mm base cabinet required.