

**Ordering Information**

Accessories/hardware:		
Hardwood cutting board	K-3195	optional
Duostrainer® sink strainer	K-8801	optional
Stainless steel sink strainer	K-8813	optional
Stainless steel sink strainer	K-8814	optional

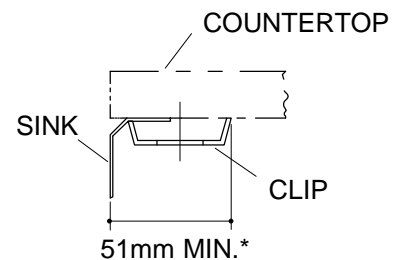
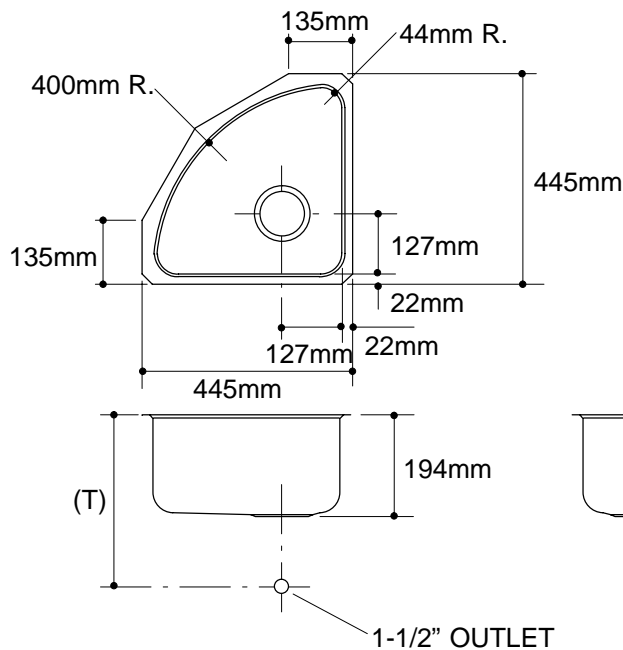
**Product Information**

Fixture*:		basin area	water depth
Sink		406 x 406mm	189mm
Outlet	Ø92mm		
* Approximate measurements for comparison only.			

Included Components:	
Hardware kit	91915
Cutout template	113393

**Installation Notes**

Refer to installation instructions included with fixture before beginning installation.



**Roughing-In Notes**

Fixture dimensions are nominal and conform to tolerances in ASME/ANSI Standard A112.19.3M.

(T) Drain typically 330mm.

\*Allow clearance around sink rim for clip attachment.