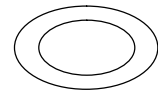
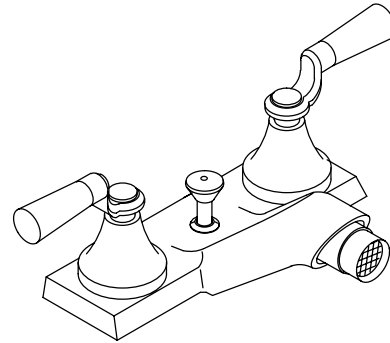


**BIDET FAUCET
K-6226-4**

ADA

FEATURES

- Brass construction
- For 4" centers
- Brass valve bodies
- Quarter-turn washerless ceramic disc valves
- 4-1/4" swivel spray spout
- Pop-up drain with lift rod and tailpiece
- Lever handles with clear acrylic inserts



CODES/STANDARDS APPLICABLE

Specified model meets or exceeds the following:

- ASME/ANSI A112.18.1M
- CSA B125

COLORS/FINISHES

- CP Polished Chrome
- PB Polished Brass
- Other Refer to Faucets Price Book for additional finishes

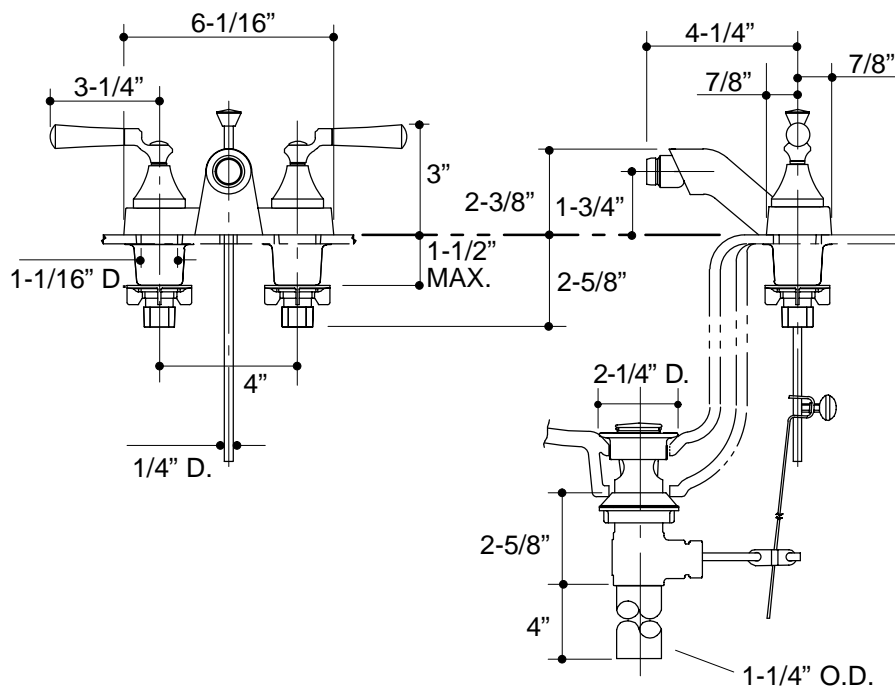
SPECIFIED MODEL:

Model	Description		
K-6226-4	Flair Centerset Bidet Faucet	<input type="checkbox"/> CP	<input type="checkbox"/> PB

Optional Accessory				
K-7266	Lever Handle Inserts, Pair	<input type="checkbox"/> CP	<input type="checkbox"/> PB	<input type="checkbox"/> Other_____

PRODUCT SPECIFICATION:

Two-handle bidet faucet shall be of brass construction. Faucet shall feature brass valve bodies. Faucet shall feature quarter-turn washerless ceramic disc valves, assuring positive handle stop positioning. Product shall include 4" centers, 4-1/4" swivel spray spout, pop-up drain with lift rod and tailpiece, and lever handles with clear acrylic inserts. Faucet shall be Kohler Model K-6226-4-_____.



316

PRODUCT DIAGRAM