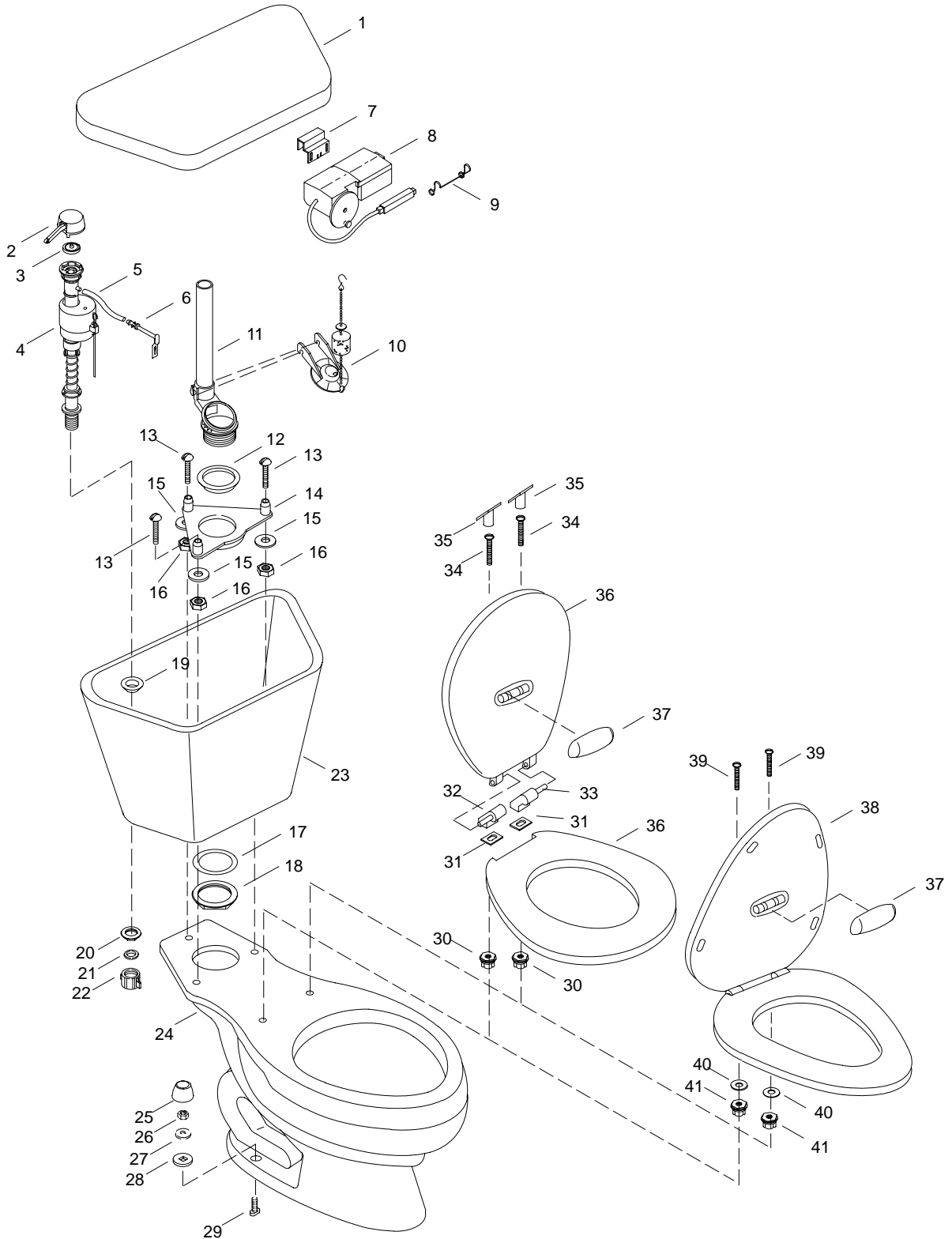


KOHLER[®] SERVICE PARTS

WELLWORTH™ WATER-GUARD® TOILET
WITH PEACEKEEPER™
K-3520-X-**-AA, K-3520-XU-**-AA
K-3521-X-**-AA, K-3521-XU-**-AA



Variation and/or finish/color code may be required when ordering.

SERVICE PARTS

| ITEM NO. | PART NO. | DESCRIPTION |
|----------|----------|-------------------------------------|
| 1 | 80469 | Cover, Tank |
| 2 | | Available In Service Kit Only |
| 3 | 56094 | Seal |
| 4 | | Available in Service Kit Only |
| 5 | 83342 | Hose, Refill Tube |
| 6 | 81218 | Elbow, Refill Tube |
| 7 | 82893 | Mounting Bracket |
| 8 | | Available in Service Kit Only |
| 9 | 82894 | Wire, Mounting |
| 10 | 83340 | Flapper Ball Assembly |
| 11 | | Available in Service Kit Only |
| 12 | 53154 | Washer, Tapered |
| 13 | 51624 | Screw, .313-18 UNC-2A x 2.13 |
| 14 | 51487 | Tank Gasket |
| 15 | 32572 | Washer, .330 ID x 7/8 OD |
| 16 | 51533 | Nut, .312-18 UNC-2B |
| 17 | 50752 | Washer |
| 18 | 50751 | Nut, 2-11.5 NPSM |
| 19 | 50843 | Cone Washer |
| 20 | 42396 | Locknut |
| 21 | 42398 | Washer |
| 22 | 42397 | Supply Nut |
| 23 | | Not Available as a Service Part |
| 24 | | Not Available as a Service Part |
| 25 | 51727 | Bolt Cap |
| 26 | | Shown for Reference Only |
| 27 | | Shown for Reference Only |
| 28 | 51726 | Base |
| 29 | | Shown for Reference Only |
| 30 | | Available In Service Kit Only |
| 31 | | Available In Service Kit Only |
| 32 | | Available in Service Kit Only |
| 33 | | Available In Service Kit Only |
| 34 | | Available In Service Kit Only |
| 35 | | Available In Service Kit Only |
| 36 | 93228 | Seat, Lustra, Round Front |
| 37 | 81952 | Cover, Magnet |
| 38 | 93226 | Seat, French Curve, Elongated Front |
| 39 | 51624 | Screw, .312-18 UNC-2A x 2.12 |
| 40 | 52878 | Washer, .310 ID x 1.00 OD |
| 41 | 51492 | Wing Nut, .312-18 UNC |

SERVICE KITS

| PART NO. | ITEM NO. | QTY. | DESCRIPTION |
|----------|----------|-------|---|
| 83397 | | | Cap Assembly Kit |
| | 2 | 1 ea. | Cap |
| | 3 | 1 ea. | Seal |
| 83323 | | | Float Valve Assembly (K-3520-XU, K-3521-XU) |
| | 2 | 1 ea. | Cap |
| | 3 | 1 ea. | Seal |
| | 4 | 1 ea. | Valve Assembly |
| 83313 | | | Float Valve Assembly (K-3520-X, K-3521-X) |
| | 2 | 1 ea. | Cap |
| | 3 | 1 ea. | Seal |
| | 4 | 1 ea. | Valve Assembly |
| 83324 | | | Float Valve Assembly (K-3520-XU, K-3520-X) |
| | 3 | 1 ea. | Seal |
| | 4 | 1 ea. | Valve Assembly |
| | 5 | 1 ea. | Hose, Refill Tube |
| | 6 | 1 ea. | Elbow, Refill Tube |
| 83321 | | | Float Valve Assembly (K-3520-X, K-3521-X)2 |
| | 2 | 1 ea. | Cap |
| | 3 | 1 ea. | Seal |
| | 4 | 1 ea. | Valve Assembly |
| | 5 | 1 ea. | Hose, Refill Tube |
| | 6 | 1 ea. | Elbow, Refill Tube |
| 82893 | | | Bracket, Mounting |
| | 7 | 1 ea. | Mounting Bracket |
| | 8 | 1 ea. | Housing Assembly |
| | 9 | 1 ea. | Mounting Wire |
| 83308 | | | Flush Valve Assembly (K-3520-XU, K-3521-XU) |
| | 10 | 1 ea. | Flapper Ball Assembly |
| | 11 | 1 ea. | Flush Valve Body |
| 83306 | | | Flush Valve Assembly (K-3520-X, K-3521-X) |
| | 10 | 1 ea. | Flapper Ball Assembly |
| | 11 | 1 ea. | Flush Valve Body |
| 30418 | | | Attachment Hardware Kit |
| | 12 | 1 ea. | Washer, Tapered |
| | 14 | 1 ea. | Tank Gasket |
| | 17 | 1 ea. | Washer |
| | 18 | 1 ea. | Nut, 2-11.5 NPSM |
| 30419 | | | Tank Bolt Kit |
| | 13 | 3 ea. | Screw, .313-18 UNC-2A x 2.13 |
| | 15 | 3 ea. | Washer, .330 ID x 7/8 OD |
| | 16 | 3 ea. | Nut, .312-18 UNC-2B |
| 52048 | | | Bolt Cap Kit |
| | 25 | 2 ea. | Bolt Cap |
| | 28 | 2 ea. | Base |
| 52033 | | | Hinge Kit |
| | 30 | 2 ea. | Nut, .375-16 UNC-2B |
| | 31 | 2 ea. | Washer, .420 ID x 1.188 OD |
| | 32 | 1 ea. | Hinge, Left |
| | 33 | 1 ea. | Hinge, Right |
| | 34 | 2 ea. | Screw, .375 UNC-1A x 2.44 |
| | 35 | 2 ea. | Cap, Hinge |
| 68441 | | | Hinge Hardware Kit |
| | 39 | 2 ea. | Screw, .312-18 UNC-2A x 2.12 |
| | 40 | 2 ea. | Washer, .310 ID x 1.00 OD |
| | 41 | 2 ea. | Wing Nut, .312-18 UNC |

Variation and/or finish/color code may be required when ordering.