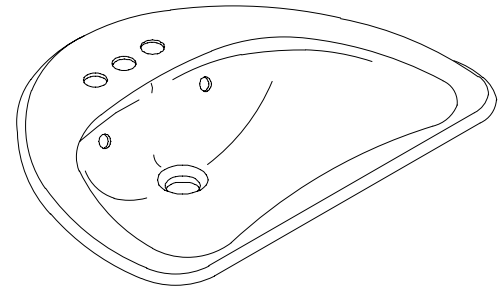


FEATURES

- 24-1/8" x 19-1/4"
- Vitreous china
- Self-rimming
- 4" centers (K-2094-4), 8" centers (K-2094-8) or single-hole (K-2094-1) drilling
- With overflow
- ADA compliant
- With sealant



CODES/STANDARDS APPLICABLE

Specified model meets or exceeds the following:

- ADA
- ASME/ANSI A112.19.2M
- CABO/ANSI A117.1
- IAPMO/UPC
- Canadian Standards Association (CSA)
- State of Massachusetts

COLORS/FINISHES

- 0 White
- Other Refer to Fixtures Price Book for additional colors

Accessories:

- A-NA White
- B-NA Cocoa

SPECIFIED MODEL:

Model	Description	Colors/Finishes	
K-2094-4	4" centers lavatory	<input type="checkbox"/> 0 White	<input type="checkbox"/> Other_____
K-2094-8	8" centers lavatory	<input type="checkbox"/> 0 White	<input type="checkbox"/> Other_____
K-2094-1	Single-hole lavatory	<input type="checkbox"/> 0 White	<input type="checkbox"/> Other_____
Optional Accessories			
K-6543	Removable shroud	<input type="checkbox"/> A-NA	<input type="checkbox"/> B-NA

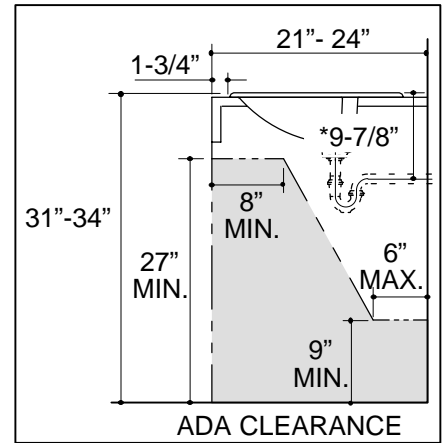
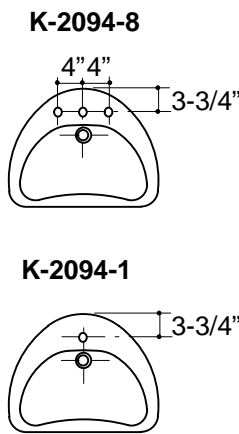
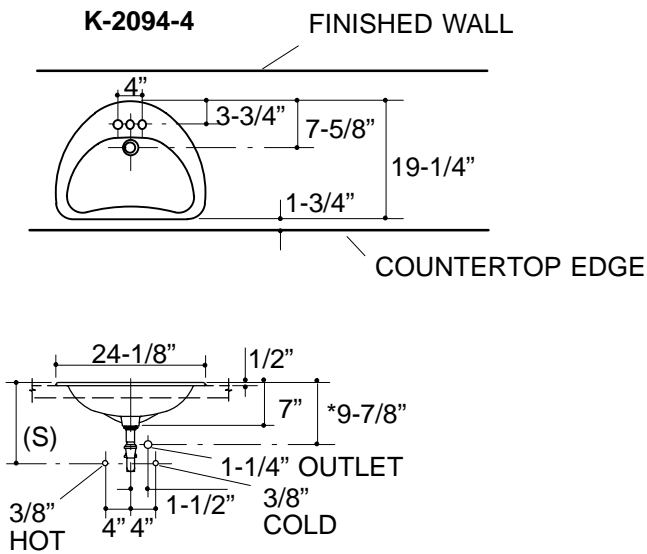
PRODUCT SPECIFICATION:

The self-rimming lavatory shall be 24-1/8" in length, and 19-1/4" in width. Lavatory shall be made of vitreous china. Lavatory shall have 4" centers (K-2094-4), 8" centers (K-2094-8), or single-hole (K-2094-1) drilling. Lavatory shall be ADA compliant. Lavatory shall include sealant. Lavatory shall have overflow. Lavatory shall be Kohler Model K-2094-_____-_____-_____.

INTERLUDE™

PRODUCT INFORMATION

ADA compliant.			
Fixture*:		basin area	water depth
Lavatory		21" x 12"	3-1/2"
Outlet	1-3/4" D.		
* Approximate measurements for comparison only.			
Holes	K-2094-4	K-2094-8	K-2094-1
Spout	1-3/16" D.	1-3/16" D.	1-3/8" D.
Faucet	1-3/16" D.	1-3/8" D.	
Included Components:			
Adhesive sealant			63034
Cutout template			113502



Roughing-In Notes

*Based on K-8998 with 1" of tailpiece exposed.

Supply (Based on 12" riser which may require cutting).	K-2094-4, K-2094-1	K-2094-8
(S)	10"	14"

.65<116

PRODUCT DIAGRAM