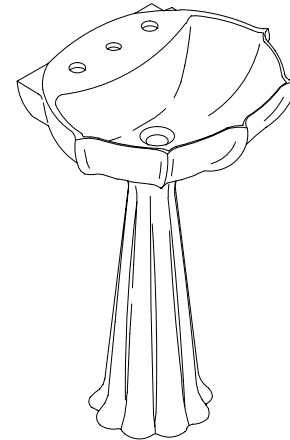


FEATURES

- 21-3/4" x 18-1/4" x 31-7/8"
- Vitreous china
- Pedestal lavatory
- 4" centers (K-2099-4), 8" centers (K-2099-8) or single-hole (K-2099-1) drilling



CODES/STANDARDS APPLICABLE

Specified model meets or exceeds the following:

- ASME/ANSI A112.19.2M
- IAPMO/UPC
- Canadian Standards Association (CSA)
- State of Massachusetts

COLORS/FINISHES

- 0 White
- Other Refer to Fixtures Price Book for additional colors

Accessories:

- CP Polished Chrome
- Other Refer to Faucets Price Book for additional finishes

SPECIFIED MODEL:

Model	Description	Colors/Finishes	
		<input type="checkbox"/> 0 White	<input type="checkbox"/> Other _____
K-2099-4	4" centers lavatory	<input type="checkbox"/> 0 White	<input type="checkbox"/> Other _____
K-2099-8	8" centers lavatory	<input type="checkbox"/> 0 White	<input type="checkbox"/> Other _____
K-2099-1	Single-hole lavatory	<input type="checkbox"/> 0 White	<input type="checkbox"/> Other _____
Recommended Accessories			
K-7605-P	Lavatory supplies 3/8" (pair)	<input type="checkbox"/> CP	<input type="checkbox"/> Other _____
K-8998	Trap	<input type="checkbox"/> CP	<input type="checkbox"/> Other _____

PRODUCT SPECIFICATION:

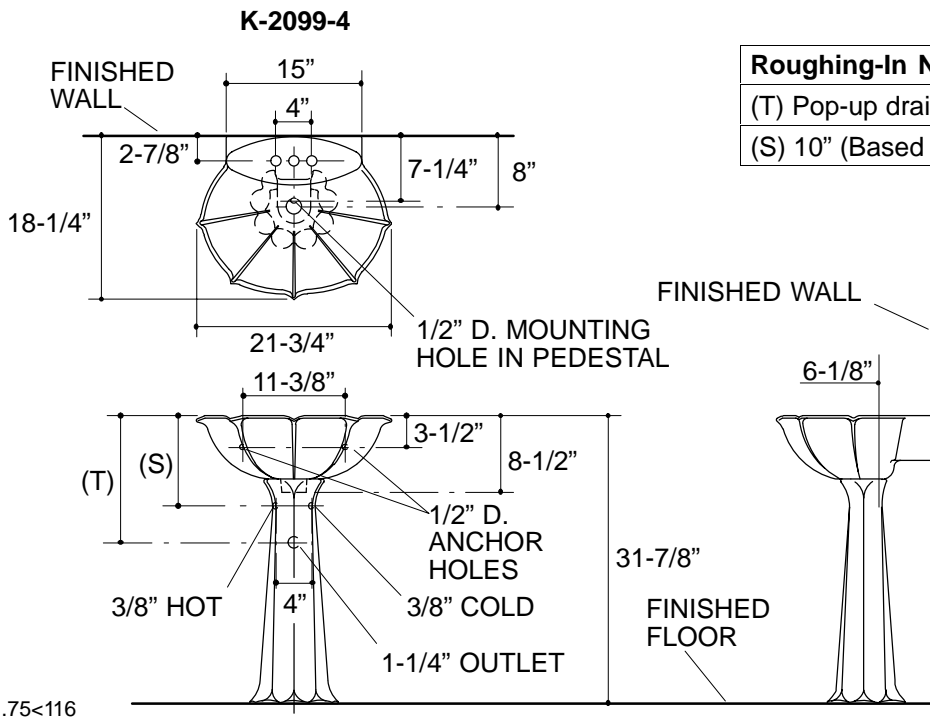
The pedestal lavatory shall be 21-3/4" in length, 18-1/4" in width, and 31-7/8" in height. Pedestal lavatory shall be made of vitreous china. Pedestal lavatory shall have 4" centers (K-2099-4), 8" centers (K-2099-8), or single-hole (K-2099-1) drilling. Pedestal lavatory shall be Kohler Model K-2099-_____ - _____.

PRODUCT INFORMATION

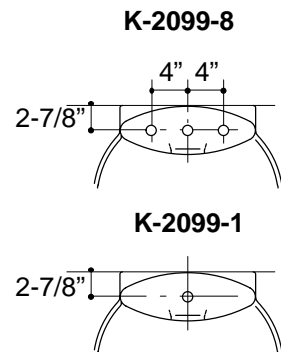
Fixture*:		basin area	water depth
Lavatory		20" x 11"	6-5/8"
Outlet	1-3/4" D.		
* Approximate measurements for comparison only.			

Holes	K-2099-4	K-2099-8	K-2099-1
Spout	1-3/16" D.	1-3/16" D.	1-3/8" D.
Faucet	1-3/16" D.	1-3/8" D.	

Included Components:	
Lavatory basin, 4" centers	K-2230-4
Lavatory basin, 8" centers	K-2230-8
Lavatory basin, single-hole	K-2230-1
Pedestal	K-2232
Pedestal accessory pack	52204
Rubber pads	63069



Roughing-In Notes
(T) Pop-up drain 14-1/8".
(S) 10" (Based on 12" riser which may require cutting).



PRODUCT DIAGRAM