

Ordering Information

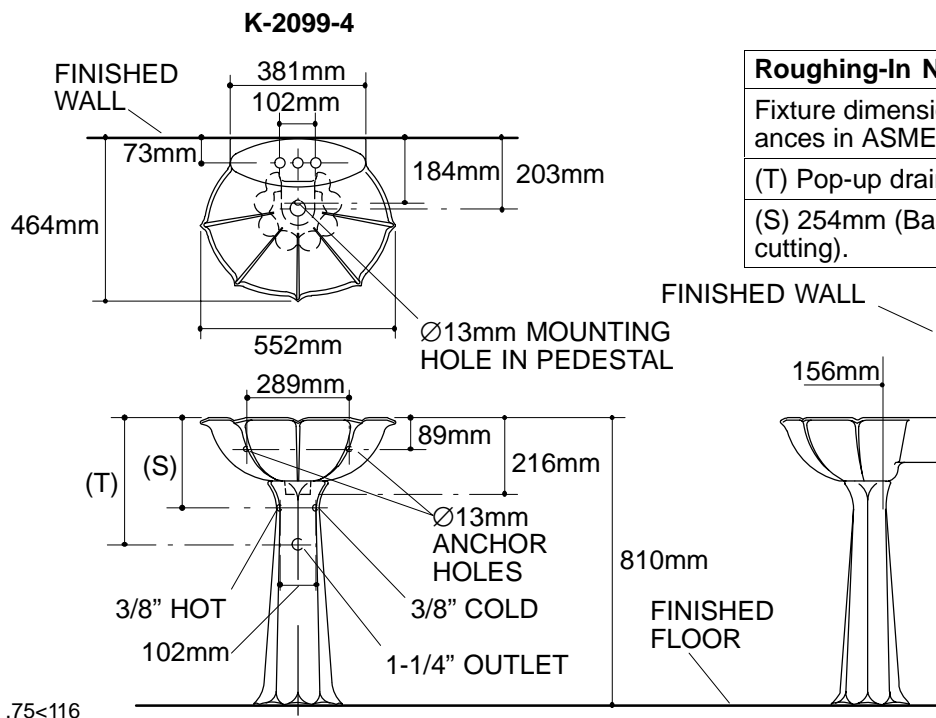
Applicable product:		
102mm centers lavatory	K-2099-4	shown
203mm centers lavatory	K-2099-8	not shown
Single-hole lavatory	K-2099-1	not shown
Accessories/hardware:		
Lavatory supplies, 3/8"	K-7605-P	recommended

Product Information

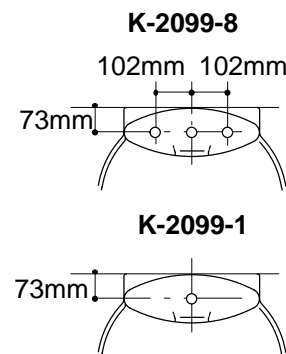
Fixture*:		basin area	water depth
Lavatory		508 x 279mm	168mm
Outlet	Ø44mm		
* Approximate measurements for comparison only.			

Holes	K-2099-4	K-2099-8	K-2099-1
Spout	Ø30mm	Ø30mm	Ø30mm
Faucet	Ø30mm	Ø35mm	

Included Components:	
Lavatory basin, 102mm centers	K-2230-4
Lavatory basin, 203mm centers	K-2230-8
Lavatory basin, single-hole	K-2230-1
Pedestal	K-2232
Pedestal accessory pack	52204
Rubber pads	63069



Roughing-In Notes
Fixture dimensions are nominal and conform to tolerances in ASME Standard A112.19.2M.
(T) Pop-up drain 359mm.
(S) 254mm (Based on 305mm riser which may require cutting).



.75<116