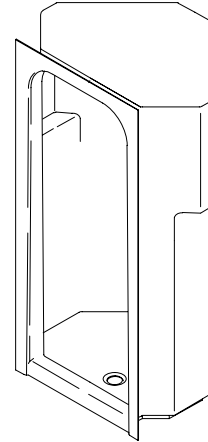


CORNER SHOWER MODULE

K-1608

FEATURES

- 42-1/8" x 42-1/8" x 84"
- Acrylic
- Integral high-dome ceiling
- Integral soap ledges
- Three-piece design for remodeling installations



CODES/STANDARDS APPLICABLE

Specified model meets or exceeds the following:

- ANSI Z124.2
- IAPMO/UPC
- State of Massachusetts

COLORS/FINISHES

- 0 White
- Other Refer to Fixtures Price Book for additional colors

Accessories:

- CP Polished Chrome
- PB Polished Brass
- SV Nevada Silver™
- BR New England Brass™
- Other Refer to Faucets Price Book for additional finishes
- NA None Applicable

SPECIFIED MODEL:

Model	Description	Colors/Finishes	
K-1608	Corner shower module	<input type="checkbox"/> 0 White	<input type="checkbox"/> Other_____

Recommended Accessories				
K-9132	Drain	<input type="checkbox"/> CP	<input type="checkbox"/> PB	<input type="checkbox"/> Other_____
Optional Accessories				
K-1559	Steam generator			<input type="checkbox"/> NA
K-1570	Dome light			<input type="checkbox"/> NA
K-9724	Sonata Glassworks™ steam pivot shower door* OR	<input type="checkbox"/> SV	<input type="checkbox"/> BR	
K-9723	Sonata Glassworks pivot shower door*	<input type="checkbox"/> SV	<input type="checkbox"/> BR	

* Refer to Fixtures Price Book for glass options.

PRODUCT SPECIFICATION:

The three-piece shower module shall be 42-1/8" in length, 42-1/8" in width, and 84" in height. Shower module shall be made of acrylic. Shower module shall have integral high-dome ceiling. Shower module shall have integral soap ledges. Shower module shall be Kohler Model K-1608-_____.

SONATA® II

PRODUCT INFORMATION

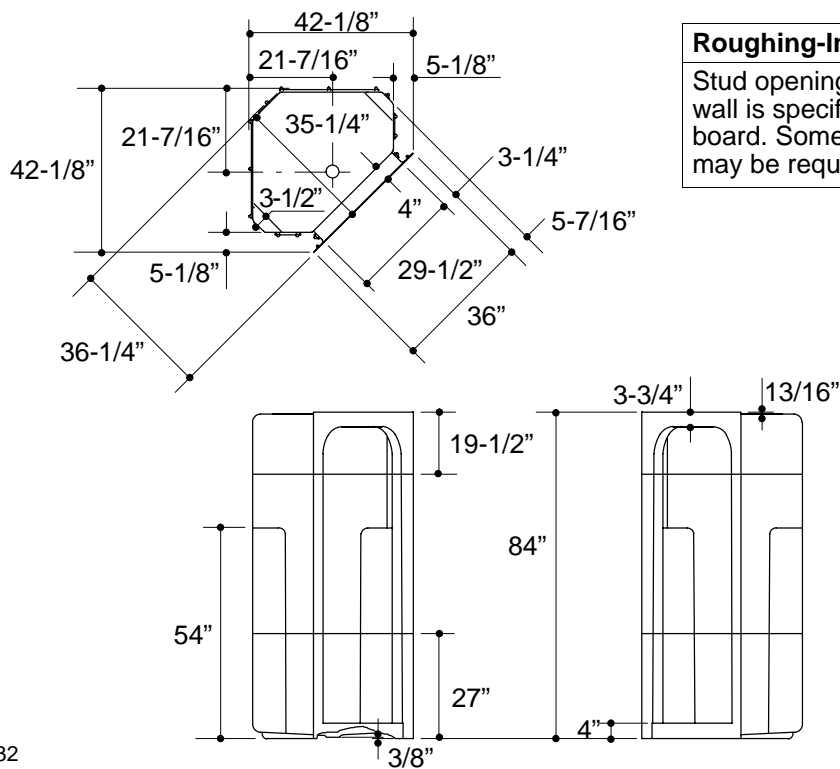
Fixture:	
Weight	156 lbs.
Configuration	3-piece
Drain Outlet	3-3/8" D.

INSTALLATION NOTES

Fixture not drilled for supply fittings.

Shimming may be required to level fixture.

Mastershower K-74 and K-75 not recommended.



Roughing-In Notes

Stud opening tolerance (+ 1/4" - 0"). When fire rated wall is specified, dimensions are to the inside of the wall board. Some shimming between stud frame and fixture may be required.

.65<132

PRODUCT DIAGRAM