

Ordering Information

| Accessories/hardware: | | |
|------------------------|-----------|-------------|
| Drain | K-9132 | recommended |
| Glassworks shower door | K-9723 | recommended |
| Glassworks steam door | K-9724 | optional |
| Steam generator | K-1559-BA | optional |

Product Information

| Fixture: | |
|---------------|---------|
| Weight | 71 Kg. |
| Configuration | 3-piece |
| Drain Outlet | Ø86mm |

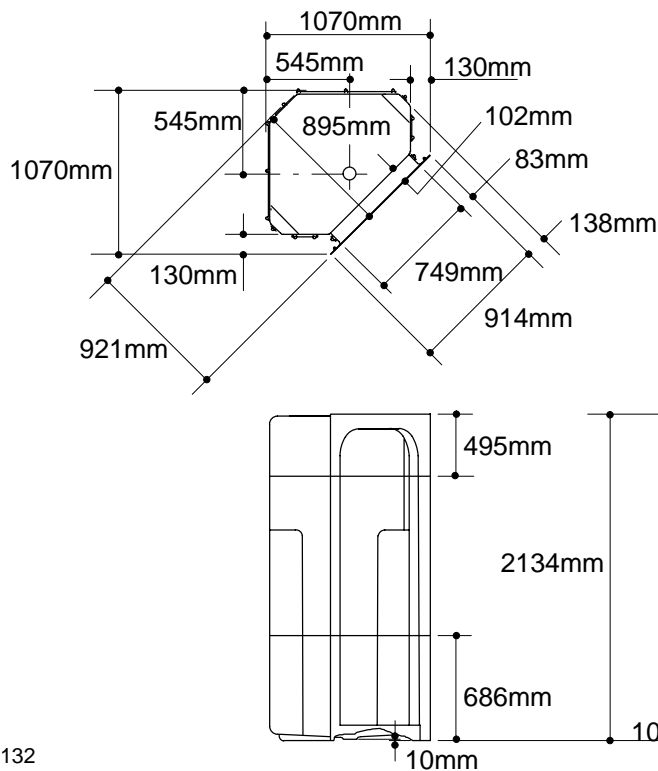
Installation Notes

Refer to installation instructions included with fixture before beginning installation.

Fixture not drilled for supply fittings.

Shimming may be required to level fixture.

Mastershower K-74 and K-75 not recommended.



Roughing-In Notes

Fixture conforms to ANSI Standard Z124.2. All dimensions are nominal.

Stud opening tolerance (+ 6mm – 0mm). When fire rated wall is specified, dimensions are to the inside of the wall board. Some shimming between stud frame and fixture may be required.

.65<132