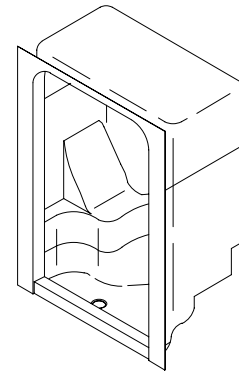


### FEATURES

- 60" x 36" x 84"
- Acrylic
- Unique lounge seat
- Corner seat
- Integral high-dome ceiling
- Three piece design for remodeling installations



### CODES/STANDARDS APPLICABLE

Specified model meets or exceeds the following:

- ANSI Z124.2
- IAPMO/UPC
- Canadian Standards Association (CSA)

### COLORS/FINISHES

- 0 White
- Other Refer to Fixtures Price Book for additional colors

#### Accessories:

- CP Polished Chrome
- PB Polished Brass
- SV Nevada Silver™
- BR New England Brass™
- SH Bright Silver
- BH Bright Brass
- Other Refer to Faucets Price Book for additional finishes
- NA None Applicable

### SPECIFIED MODEL:

Model	Description	Colors/Finishes	
K-1669	Shower module	<input type="checkbox"/> 0 White	<input type="checkbox"/> Other _____

Recommended Accessories				
K-9132	Drain	<input type="checkbox"/> CP	<input type="checkbox"/> PB	<input type="checkbox"/> Other _____

Optional Accessories				
K-1559	Steam generator			<input type="checkbox"/> NA
K-1570	Dome light			<input type="checkbox"/> NA
K-9809	Sonata Glassworks™ steam bypass shower door* <b>OR</b>	<input type="checkbox"/> SV	<input type="checkbox"/> BR	
K-9854	Sonata Glassworks bypass shower door* <b>OR</b>	<input type="checkbox"/> SV	<input type="checkbox"/> BR	
K-703030	Forum™ bypass shower door*	<input type="checkbox"/> SH	<input type="checkbox"/> BH	<input type="checkbox"/> 0 White

\* Refer to Fixtures Price Book for glass options.

### PRODUCT SPECIFICATION:

The three-piece shower module shall be 60" in length, 36" in width, and 84" in height. Shower module shall be made of acrylic. Shower module shall have unique lounge seat and cover seat. Shower module shall have integral high-dome ceiling. Shower module shall be Kohler Model K-1669-\_\_\_\_\_.

# SONATA® II

## PRODUCT INFORMATION

Fixture:	
Weight	208 lbs.
Drain Outlet	3-3/8" D.
Configuration	3-piece

## INSTALLATION NOTES

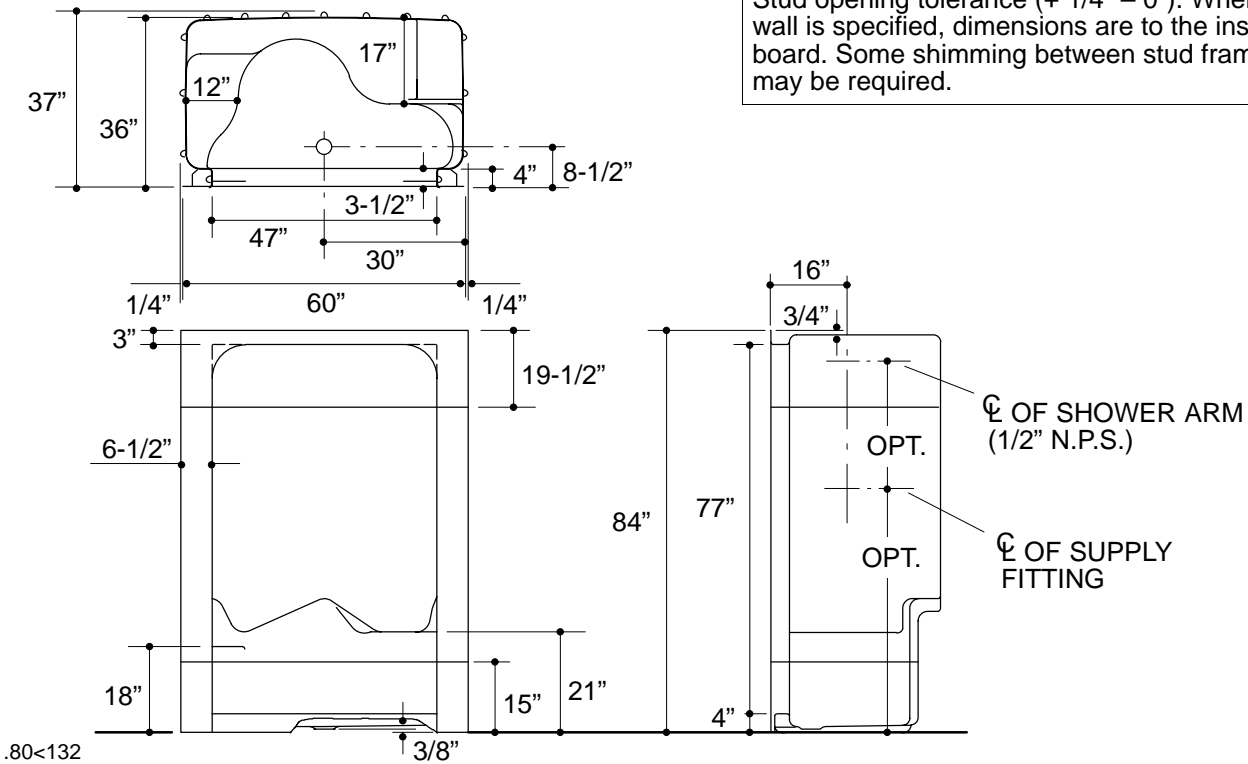
Fixture not drilled for supply fittings.

Shimming may be required to level fixture.

Mastershower K-74 and K-75 not recommended.

### Roughing-In Notes

Stud opening tolerance (+ 1/4" - 0"). When fire rated wall is specified, dimensions are to the inside of the wall board. Some shimming between stud frame and fixture may be required.



## PRODUCT DIAGRAM