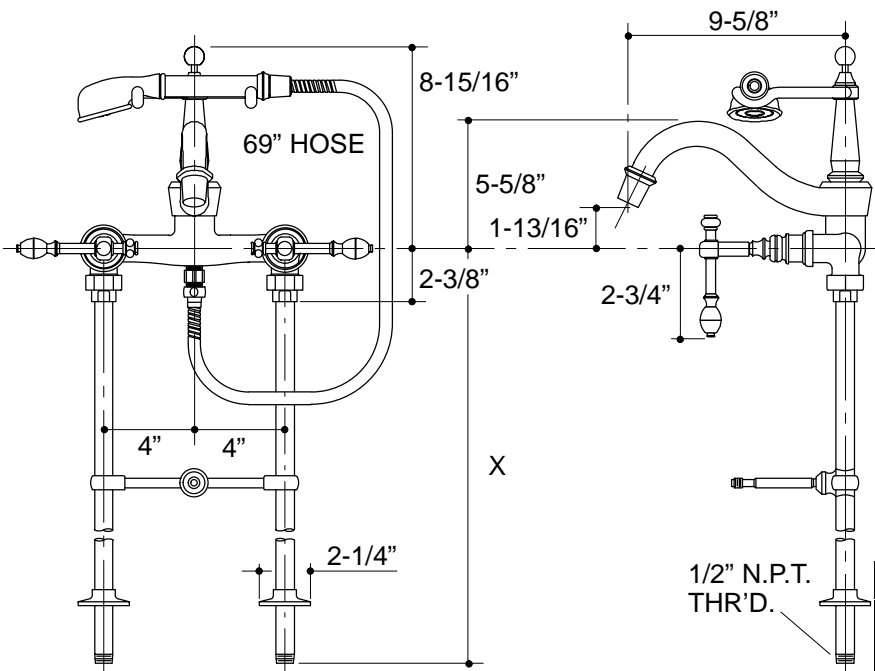


Ordering Information

| | |
|--------------------------------------------|----------|
| Applicable faucet: | |
| With handshower and lever handles | K-6905-4 |
| Riser tubes for deck-mount | K-126 |
| Riser tubes for Birthday™ bath | K-127 |
| Riser tubes for Vintage™ bath | K-128 |
| ADA Lever handles are ADA compliant | |



1/2" N.P.T.
THR'D.

| Roughing-In Notes | |
|-------------------|---------|
| | X |
| K-126, K-127 | 27-7/8" |
| K-128 | 31-1/2" |

18

K-6905-4 IV Georges Brass™ Bath Faucet
113523-1-BA (9619)

NOTES: