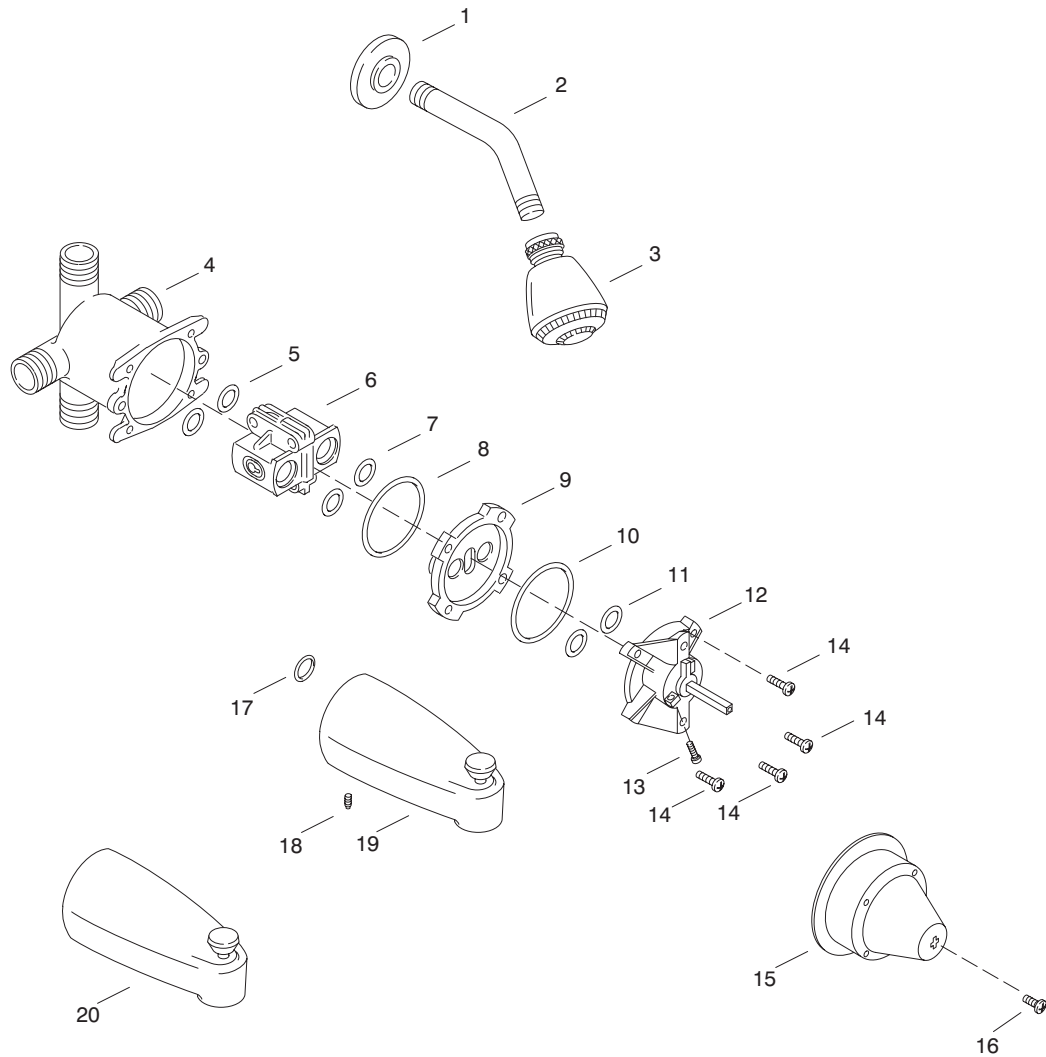


KOHLER[®] SERVICE PARTS

CORALAIS™ BATH AND SHOWER FAUCET
K-15874-**-AA, K-15875-**-AA,
K-15876-**-AA, K-15877-**-AA



SERVICE PARTS

ITEM NO.	PART NO.	DESCRIPTION
1	20429	Flange, Shower Arm
2	51410	Shower Arm
3	57999	Shower Head Assembly
4	71916	Body, Valve, w/o Stop Bodies
5	52480	O-Ring, -013 x .426
6		Available in Service Kit Only
7	52479	O-Ring, -016 x .614
8	42043	O-Ring
9	71922	Adapter x .38
10	71940	O-Ring
11	33993	O-Ring, 011
12		Available in Service Kit Only
13	71968	Screw, .190-32 UNF-2A x .750
14	71923	Screw, .190-32 UNC-2A x .625
15	71927	Mixer Plaster Shield
16	71937	Screw, .164-32 UNC-2B x .38
17	32657	O-Ring, 114"
18	46074	Screw, .250-20 UNC x .50
19	42440	Diverter Spout (Slip Fit for 5/8" O.D.)
20	40242	Diverter Spout (1/2" I.P. Connection)

SERVICE KITS

PART NO.	ITEM NO.	QTY.	DESCRIPTION
500520	5	2 ea.	Pressure Balancing Body
	6	1 ea.	O-Ring, -013 x .426
	7	2 ea.	Body Subassembly
71969	7	2 ea.	O-Ring, -016 x .614
	10	1 ea.	Valve, Mixer Kit
	11	2 ea.	O-Ring
	12	1 ea.	O-Ring, 011
	13	1 ea.	Mixing Valve Cartridge
			Screw, .190-32 UNF-2A x .750

Variation and/or finish/color code may be required when ordering.