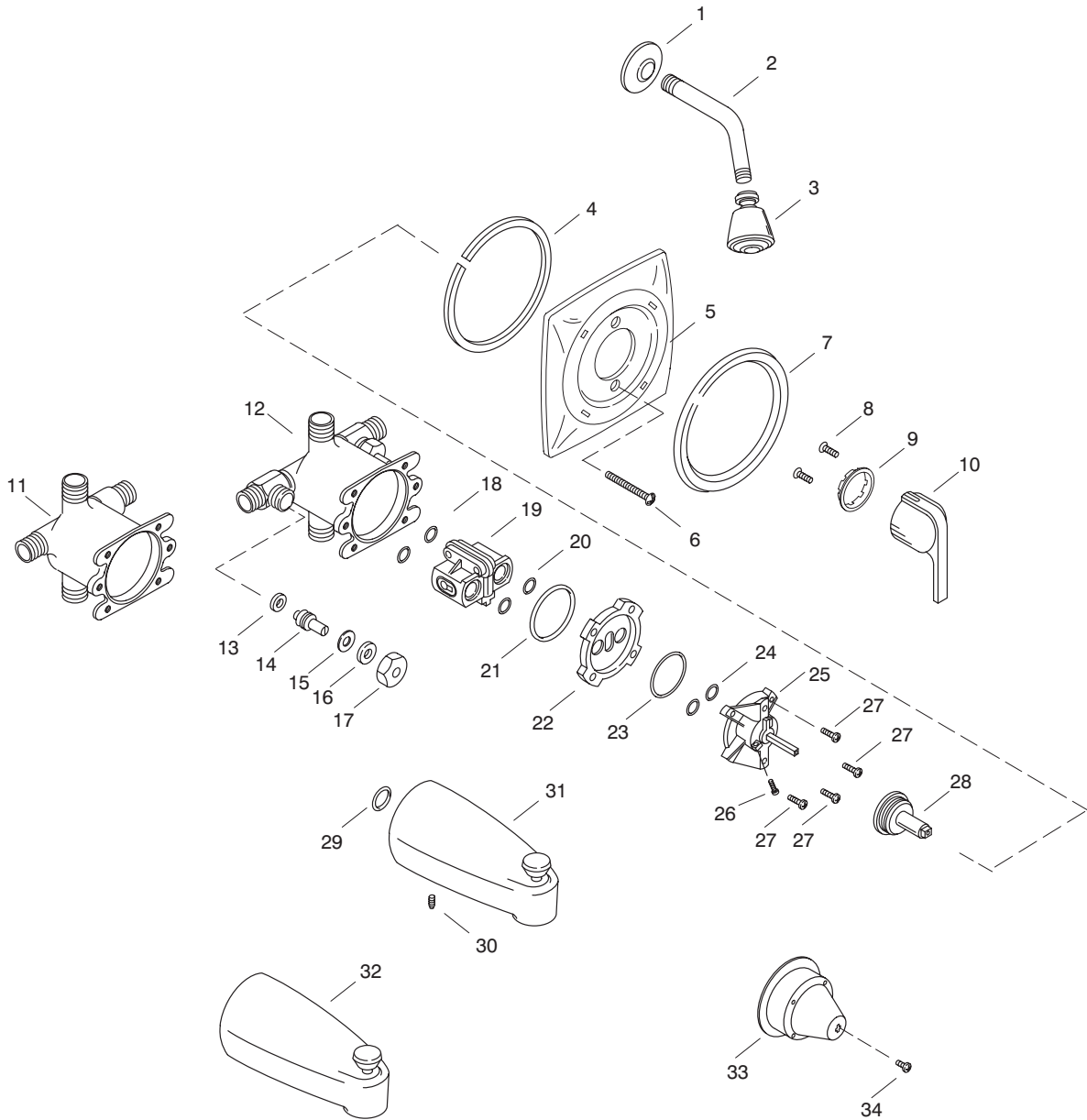


# KOHLER<sup>®</sup> SERVICE PARTS

CORALAIS™ BATH AND SHOWER FAUCET  
K-15106-\*\*-BA, K-15108-\*\*-BA,  
K-15115-\*\*-BA, K-15117-\*\*-BA,  
K-15127-\*\*-BA, K-15129-\*\*-BA



Variation and/or finish/color code may be required when ordering.

### SERVICE PARTS

ITEM NO.	PART NO.	DESCRIPTION
1	20429	Flange, Shower Arm
2	51410	Shower Arm
3	57999	Shower Head Assembly
4	71813	Gasket Escutcheon OD
5		Available in Service Kit Only
6	71946	Screw, Phillips Oval Head
7	71911	Face Plate, Mixer
8	71018	Screw, .190-24 UNC x .375
9	71951	Thrust Washer
10	71947	Handle Lever Assembly
11	71916	Body, Valve, w/o Stop Bodies
12	71917	Body, Valve, w/ Stop Bodies
13	20961	Washer, .185 x .505
14	40287	Stem, Stop
15	40291	Washer
16	40288	Packing
17	40289	Pack Nut
18	52480	O-Ring, -013 x .426
19		Available in Service Kit Only
20	52479	O-Ring, -016 x .614
21	42043	O-Ring
22	71922	Adapter
23	71940	O-Ring
24	33993	O-Ring, 011
25		Available in Service Kit Only
26	71968	Screw, .190-32 UNF-2A x .750
27	71923	Screw, .190-32 UNF-2A x .625
28	71906	Stem Adapter
29	32657	O-Ring, 114"
30	46074	Screw, .250-20 UNC x .50
31	42440	Diverter Spout (Slip Fit for 5/8" O.D.)
32	40242	Diverter Spout (1/2" I.P. Connection)
33	71927	Mixer Plaster Shield
34	71937	Screw, .164-32 UNC-2B x .38

### SERVICE KITS

PART NO.	ITEM NO.	QTY.	DESCRIPTION
530321			Escutcheon Mixer Kit
	4	1 ea.	Gasket Escutcheon
	5	1 ea.	Escutcheon Mixer
	7	1 ea.	Face Plate, Mixer
71904			Repair Kit, Lever Handle
	8	2 ea.	Screw, .190-24 UNC x .375
	9	1 ea.	Thrust Washer
	10	1 ea.	Handle Lever Assembly
500520			Pressure Balancing Body
	18	2 ea.	O-Ring, -013 x .426
	19	1 ea.	Body Subassembly
	20	2 ea.	O-Ring, -016 x .614
71969			Valve, Mixer Kit
	23	1 ea.	O-Ring
	24	2 ea.	O-Ring, 011
	25	1 ea.	Mixing Valve Cartridge
	26	1 ea.	Screw, .190-32 UNF-2A x .750

Variation and/or finish/color code may be required when ordering.