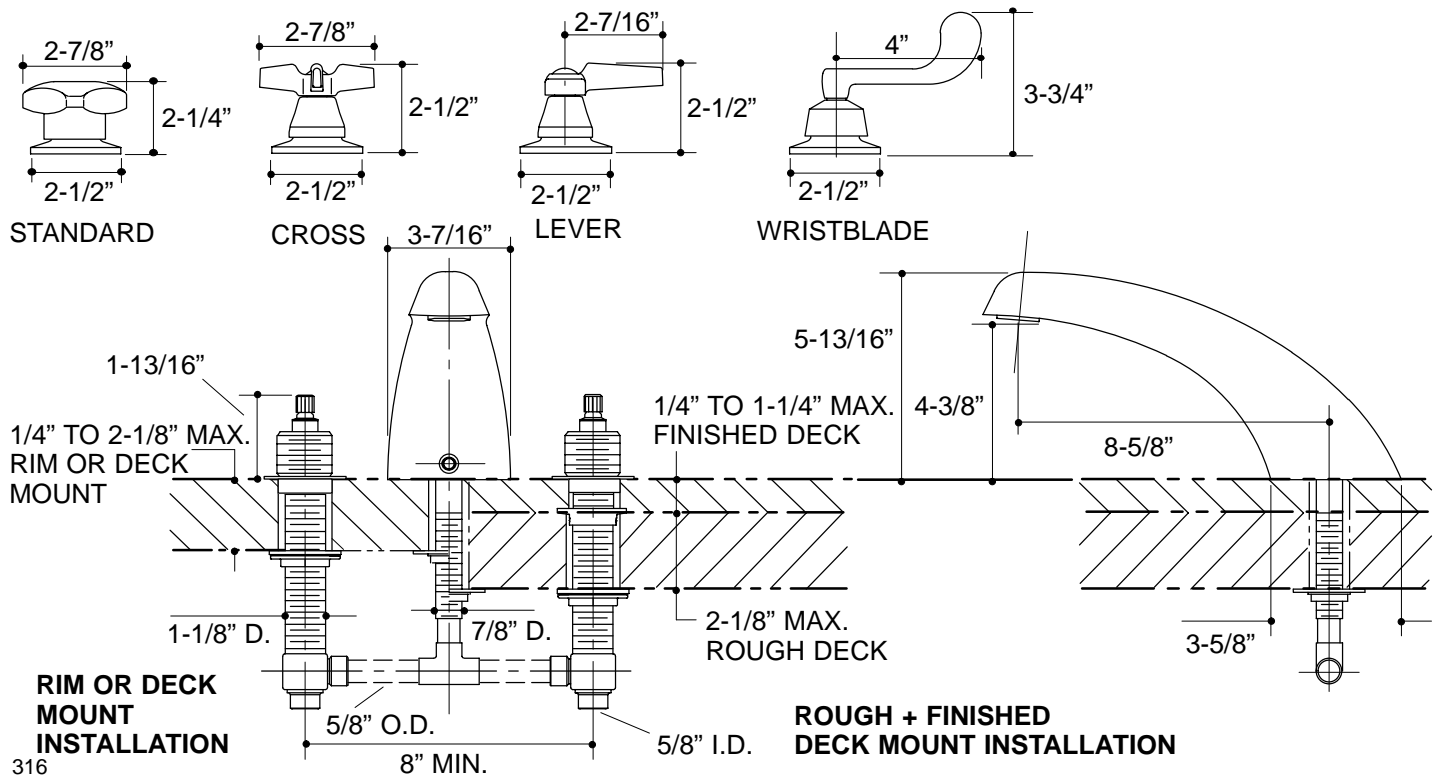


### Ordering Information

Applicable faucet:	
Standard handles*	K-T7019-2
Cross handles*	K-T7019-3
Lever handles*	K-T7019-4
Wristblade lever handles*	K-T7019-5
*Valve K-300-K must be ordered to complete faucet.	

Applicable valve system only:		
1/2" valve system	K-300-K-NA	required**
**Required for configuration illustrated.		
<b>ADA</b> Lever and and cross handles are ADA compliant		



316

K-T7019, K-300-K Triton™ Bath Faucet  
113550-1-BA (-)

NOTES: