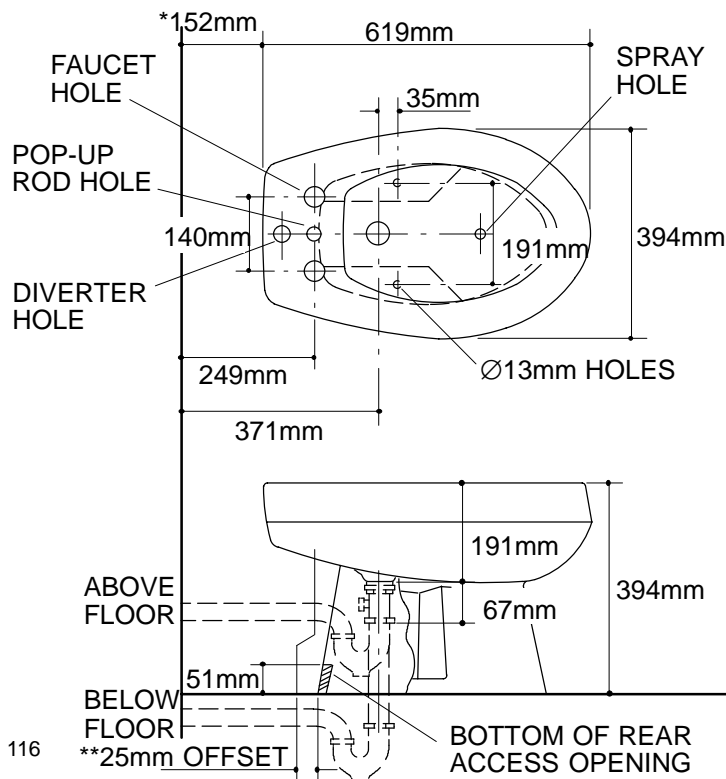


Ordering Information

Accessories/hardware:		
P-trap	K-9018	recommended*
*Dimensions illustrated.		

Product Information

Fixture:	
Configuration	Integral fill and vertical spray*
Outlet	Ø44mm
Spray hole	Ø19mm
Faucet hole	Ø35mm
Diverter hole	Ø33mm
Pop-up rod hole	Ø29mm
Included Components:	
Floor screws and bolt caps	52049
*Requires faucet with transfer valve or diverter.	



Roughing-In Notes

- Fixture dimensions are nominal and conform to tolerances in ASME Standard A112.19.2M.
- *152mm dimension required to allow for drain and supply connection from rear of bidet.
- Trap can be installed above or below the floor.
- Hot and cold supplies can be installed from floor or wall.
- ** For floor supplies, hot and cold must be offset 25mm away from base (toward wall).

