

## Ordering Information

Accessories/hardware:		
Drain	K-7161-AF	recommended
Apron	K-1311	recommended

## Product Information

Fixture*:	basin area	top area	weight
Bathing well	47" x 26"	64" x 31"	60 lbs.
	water depth	capacity	
To overflow	15-1/2"	91 gals.	

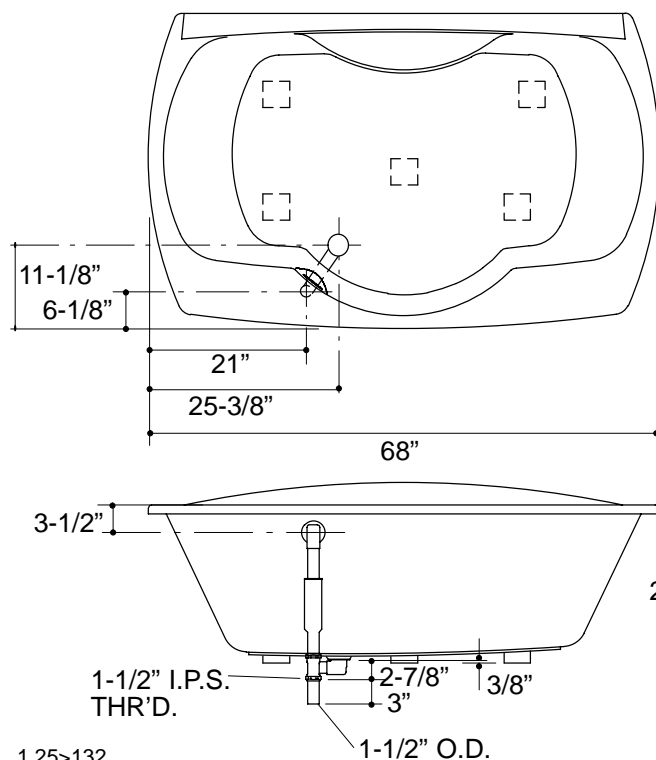
\* Approximate measurements for comparison only.

## Installation Notes

Refer to installation instructions included with fixture before beginning installation.

Consult local and national codes for minimum air gap requirements if installing a spout on faucet deck.

The K-1311 apron, if used, must be installed BEFORE finished flooring is laid.



1.25>132

## Roughing-In Notes

Fixture dimensions are nominal and conform to tolerances in ANSI Standard Z124.1.

No change in measurements if connected with drain illustrated.

