

Ordering Information

Accessories/hardware:		
Drain	K-7161-AF	recommended
Apron	K-1311	recommended

Product Information

Fixture*:	basin area	top area	weight
Bathing well	1194 x 660mm	1626 x 787mm	27 Kg.
	water depth	capacity	
To overflow	394mm	344 litres	

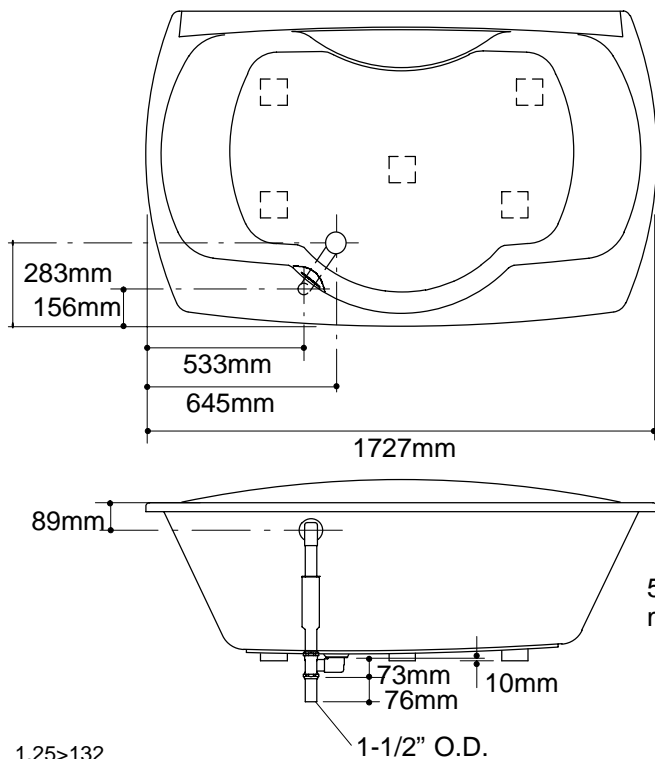
* Approximate measurements for comparison only.

Installation Notes

Refer to installation instructions included with fixture before beginning installation.

Consult local and national codes for minimum air gap requirements if installing a spout on faucet deck.

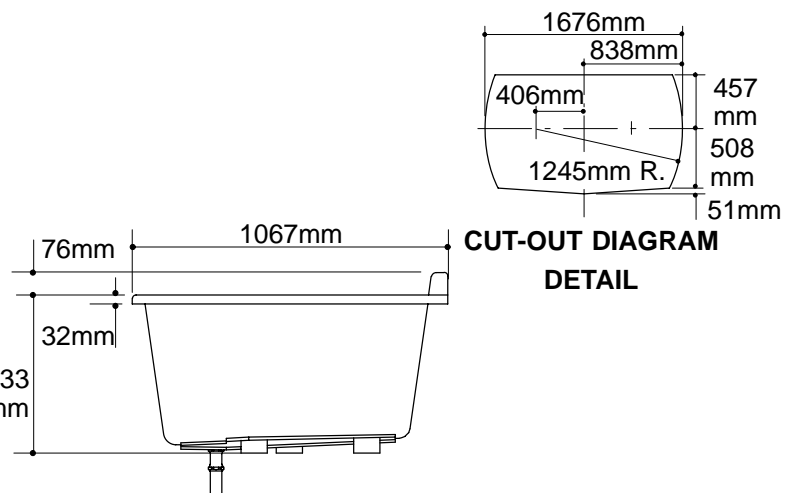
The K-1311 apron, if used, must be installed BEFORE finished flooring is laid.



Roughing-In Notes

Fixture conforms to ANSI Standard Z124.1. All dimensions are nominal.

No change in measurements if connected with drain illustrated.



1.25>132