

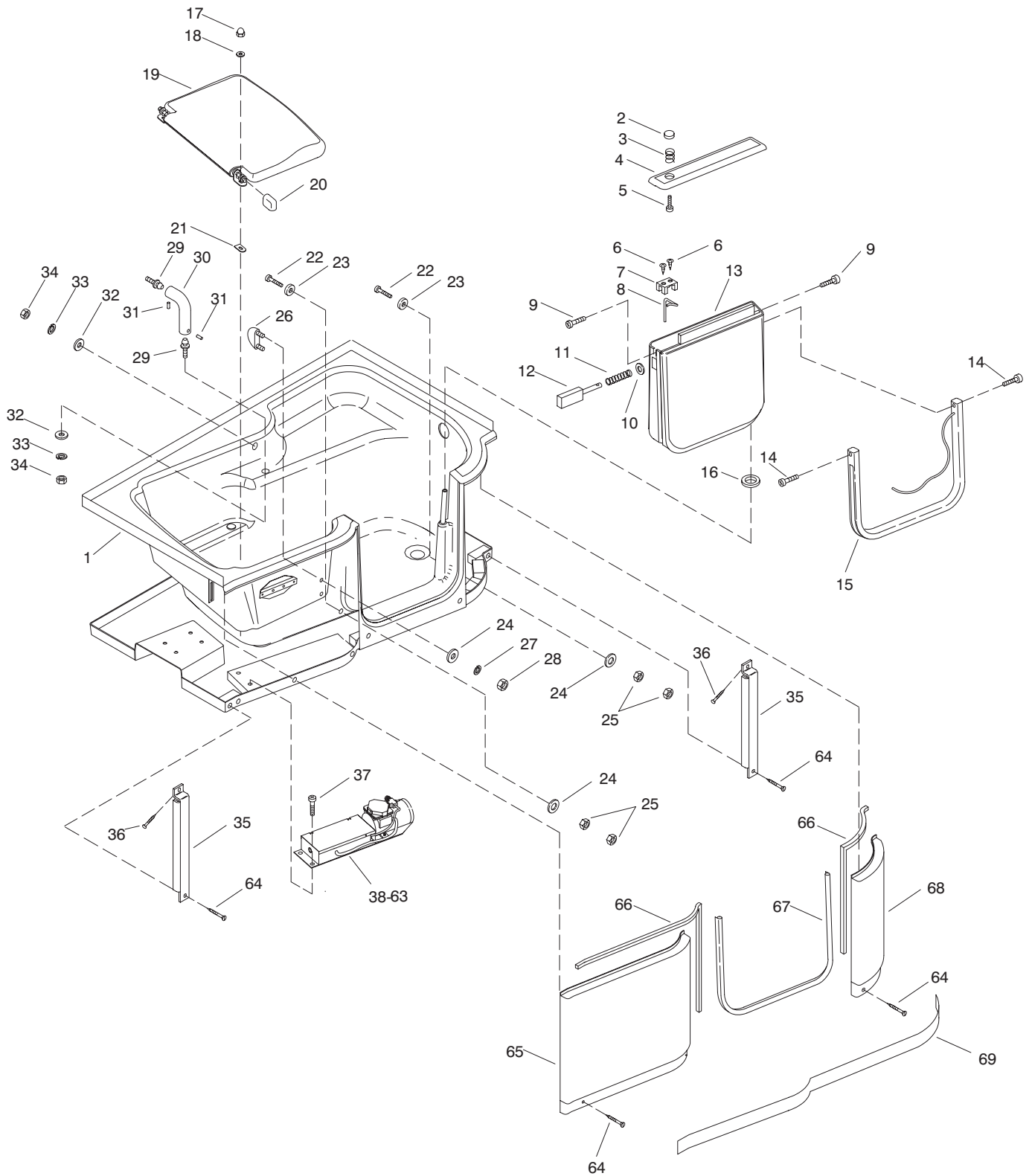
KOHLER®



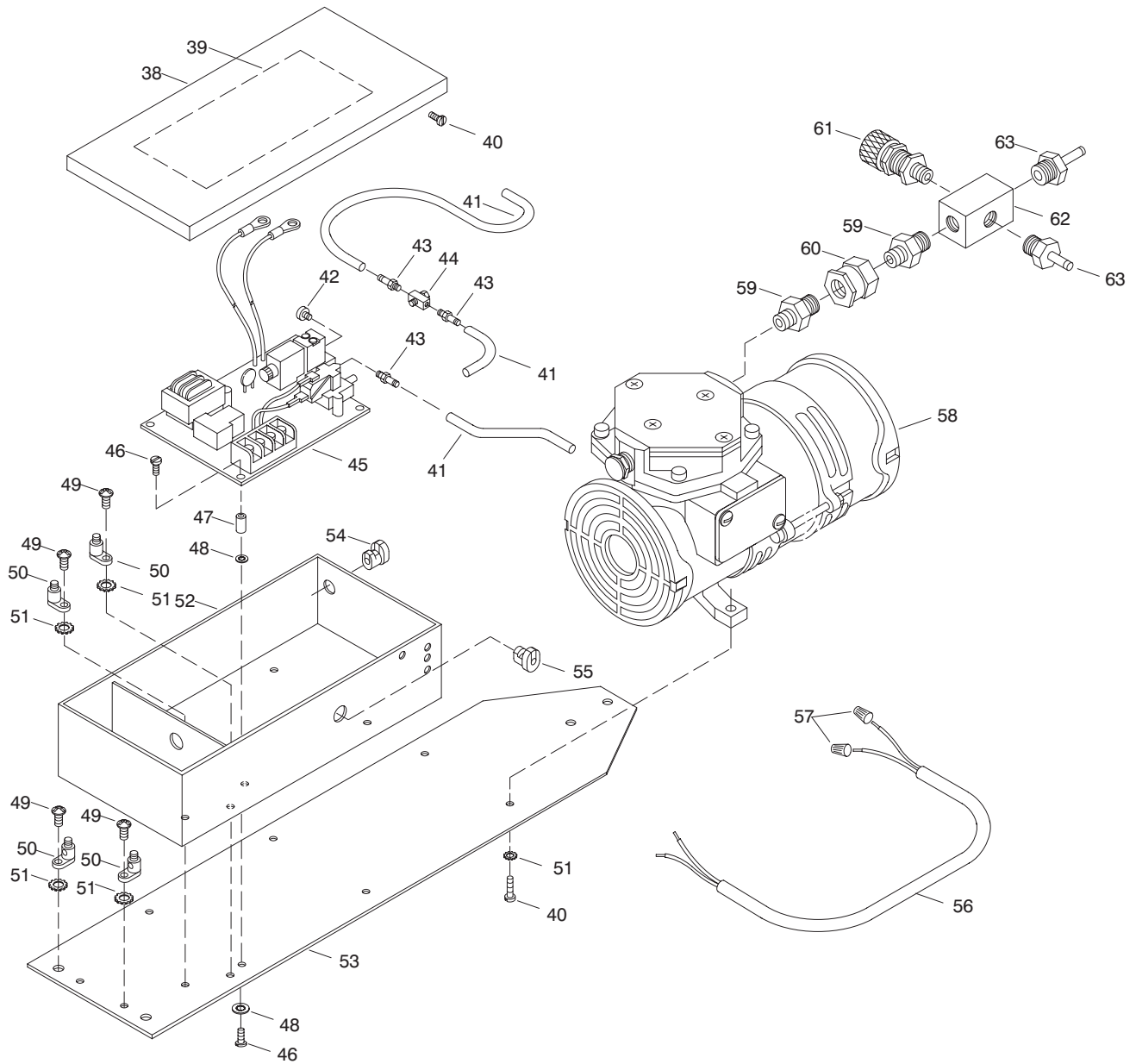
Precedence™ Bath (Right Outlet)
K-1354-AA

SERVICE PARTS





Variation and/or finish/color code may be required when ordering.



Variation and/or finish/color code may be required when ordering.

SERVICE PARTS

| ITEM NO. | PART NO. | DESCRIPTION |
|----------|----------|-------------------------------|
| 1 | 97161-B | Shell & Pan Assembly |
| 2 | 91279 | Button, Door |
| 3 | 91616 | Spring, Button, Door |
| 4 | 91107 | Top Cover |
| 5 | 91300 | Clip, Christmas Tree |
| 6 | 93192 | Screw, #6 x .75 Slf Tap |
| 7 | 93185 | Rod Guide |
| 8 | 91560 | Rod |
| 9 | 93243 | Screw, #8 x .5, SS |
| 10 | 97240 | Washer |
| 11 | 91290 | Spring |
| 12 | 91284 | Plunger |
| 13 | | Available in Service Kit Only |
| 14 | 93244 | Screw, #8 X 1, SS |
| 15 | 91280 | Seal, Door |
| 16 | 92062 | Washer, 1.00 OD x .781 ID |
| 17 | 91761 | Nut, Stop, 5/16 - 18, SS |
| 18 | 91643 | Washer, Flat, 5/16, SS |
| 19 | 91561 | Seat, Hinge Assembly |
| 20 | 91540 | Cover, Hinge, Seat |
| 21 | 91470 | Gasket, Hinge, Seat |
| 22 | 97227 | Water Level Sensor |
| 23 | 91783 | Washer, Nylon, 1/4 |
| 24 | 64212 | Washer, Flat, 1/4 |
| 25 | 90153 | Locknut, 1/4-20 |
| 26 | 91774 | Wedge, Seat Assembly |
| 27 | 60125 | Washer, Lock, 1/4 |
| 28 | 23094 | Nut, .25 -UNC -2B |
| 29 | 92622 | Grommet, Grab Bar |
| 30 | 92623 | Grab Bar Assembly |
| 31 | 92624 | Screw, Set, #10-24 x .44 |
| 32 | 90774 | Washer, .406 ID x 1.25 OD |
| 33 | 60043 | Washer, Lock, 3/8 |
| 34 | 60044 | Nut, .375 -16 UNC -2B |
| 35 | 91367 | End Post |
| 36 | 92066 | Screw, Drywall, 1.00 |
| 37 | 55516 | Screw, #10 x .75 |
| 38 | 97210 | Cover, Compressor Base |
| 39 | 113189 | Label, Wiring Diagram |
| 40 | 90496 | Screw, .190-32 UNF-2A x .50 |
| 41 | 901814 | Tubing, 1/4 Polyurethane |
| 42 | 91990 | Plug, #10-32 |
| 43 | 91988 | Fitting, Barbed |
| 44 | 91989 | Tee |
| 45 | 97230 | Circuit Board Assembly |
| 46 | 64470 | Screw, .164-32 UNC x .375 |
| 47 | 91814 | Threaded Spacer, #8-32 |
| 48 | 64468 | Washer, #8 Int Tooth, Lock |
| 49 | 63571 | Screw, #10-32 x .25 |
| 50 | 67065 | Lug, Ground |
| 51 | 61776 | Washer, #10 Int/Ext |
| 52 | 91784 | Box, Compressor Base |
| 53 | 97249 | Plate, Compressor Base |
| 54 | 68693 | Bushing, Strain Relief |
| 55 | 67264 | Bushing, Strain Relief |
| 56 | 91983 | Wire Assembly, PC Board |
| 57 | 92230 | Wire Joint |
| 58 | 91267 | Compressor |
| 59 | 92197 | Hex Nipple |
| 60 | 97140 | Check Valve |
| 61 | 97141 | Pressure Relief |
| 62 | 91872 | Manifold |
| 63 | 91875 | Connector, Male |
| 64 | 97243 | Screw, Drywall, 1.50 |
| 65 | 91115 | Apron, Large |
| 66 | 97225 | Gasket, Apron |
| 67 | 92163 | Seal, Door |
| 68 | 91116 | Apron, Small |
| 69 | 97224 | Strip, Floor Kick |

SERVICE KITS

| PART NO. | ITEM NO. | QTY. | DESCRIPTION |
|----------|----------|-------|-----------------------------|
| 91113 | | | Door Assembly |
| | 2 | 1 ea. | Button, Door |
| | 3 | 1 ea. | Spring, Button, Door |
| | 4 | 1 ea. | Top Cover |
| | 5 | 1 ea. | Clip, Christmas Tree |
| | 6 | 2 ea. | Screw, #6 x .75 Slf Tap |
| | 7 | 1 ea. | Rod Guide |
| | 8 | 1 ea. | Rod |
| | 9 | 2 ea. | Screw, #8 x .5, SS |
| | 10 | 1 ea. | Washer |
| | 11 | 1 ea. | Spring |
| | 12 | 1 ea. | Plunger |
| | 13 | 1 ea. | Core Assembly |
| 97156 | | | Compressor Assembly |
| | 38 | 1 ea. | Cover, Compressor Base |
| | 39 | 1 ea. | Label, Wiring Diagram |
| | 40 | 7 ea. | Screw, .190-32 UNF-2A x .50 |
| | 41 | 1 ea. | Tubing, 1/4 Polyurethane |
| | 42 | 1 ea. | Plug, #10-32 |
| | 43 | 3 ea. | Fitting, Barbed |
| | 44 | 1 ea. | Tee |
| | 45 | 1 ea. | Circuit Board Assembly |
| | 46 | 4 ea. | Screw, .164-32 UNC x .375 |
| | 47 | 4 ea. | Threaded Spacer, #8-32 |
| | 48 | 4 ea. | Washer, #8 Int Tooth, Lock |
| | 49 | 4 ea. | Screw, #10-32 x .25 |
| | 50 | 4 ea. | Lug, Ground |
| | 51 | 4 ea. | Washer, #10 Int/Ext |
| | 52 | 1 ea. | Box, Compressor Base |
| | 53 | 1 ea. | Plate, Compressor Base |
| | 54 | 1 ea. | Bushing, Strain Relief |
| | 55 | 1 ea. | Bushing, Strain Relief |
| | 56 | 1 ea. | Wire Assembly, PC Board |
| | 57 | 2 ea. | Wire Joint |
| | 58 | 1 ea. | Compressor |
| | 59 | 2 ea. | Hex Nipple |
| | 60 | 1 ea. | Check Valve |
| | 61 | 1 ea. | Pressure Relief |
| | 62 | 1 ea. | Manifold |
| | 63 | 2 ea. | Connector, Male |

Variation and/or finish/color code may be required when ordering.

Intentionally Blank

Intentionally Blank



KOHLER®

