

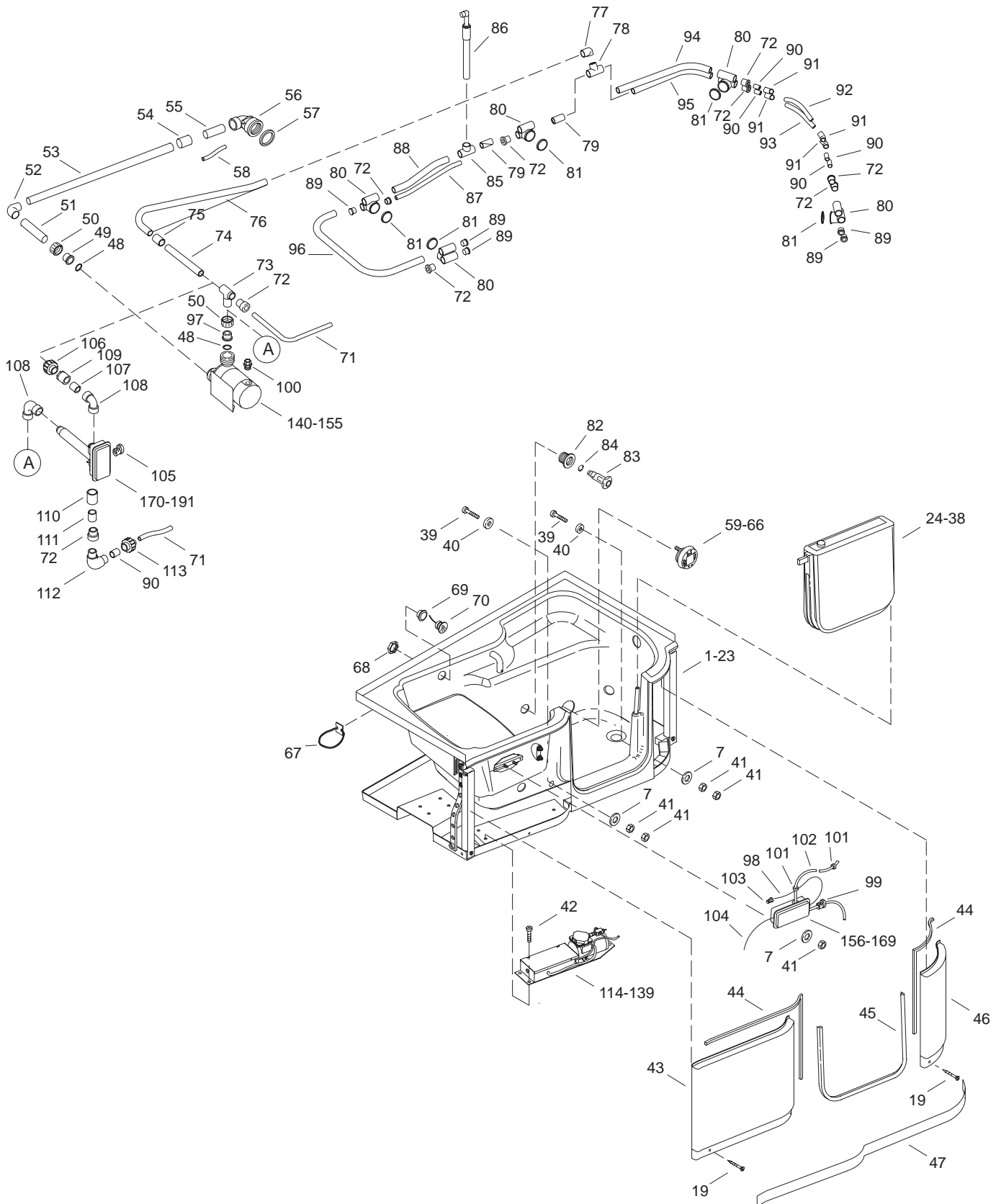


Precedence™ Whirlpool Bath (Right Outlet)
K-1356-**-AA
K-1356-H-**-AA

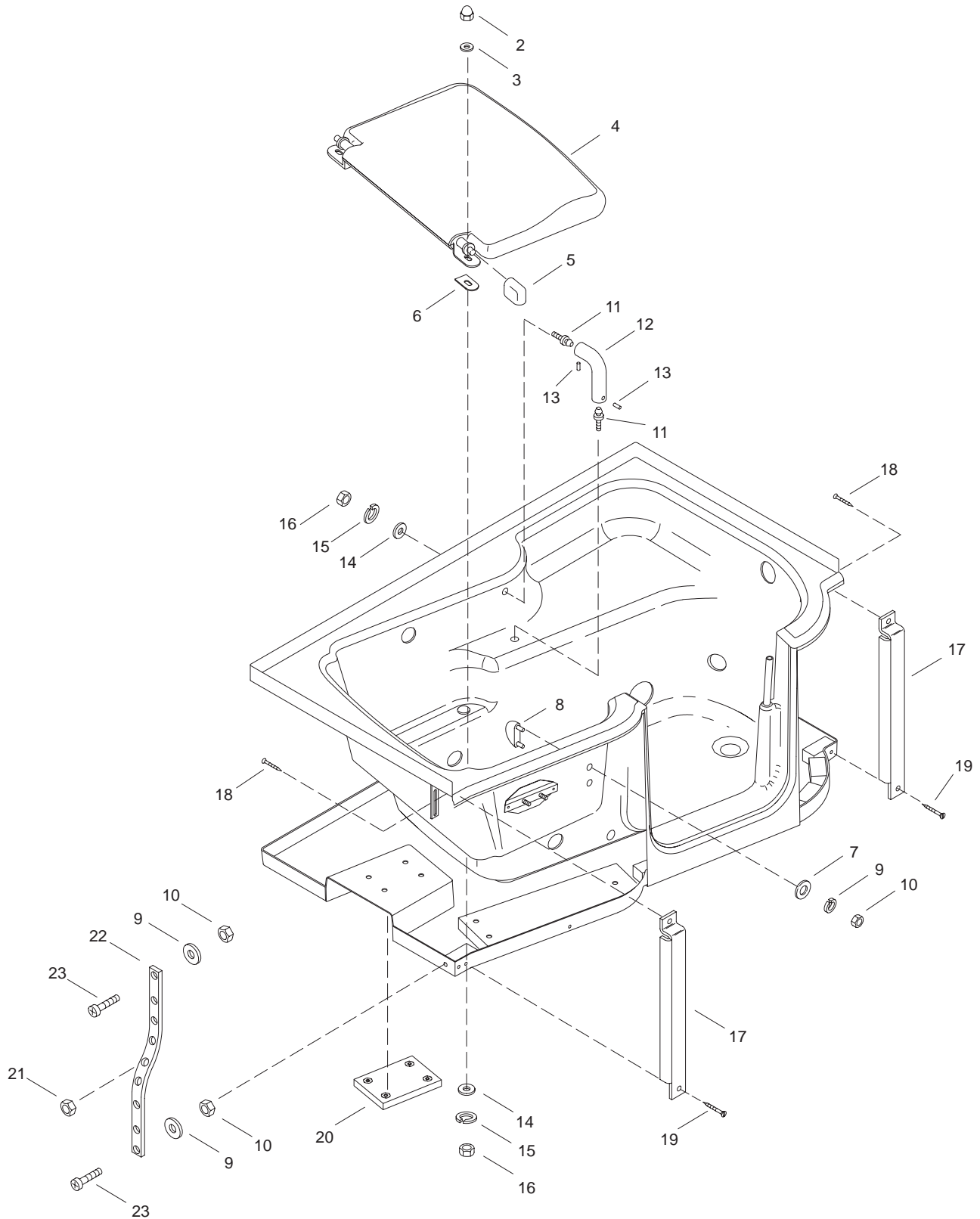
SERVICE PARTS



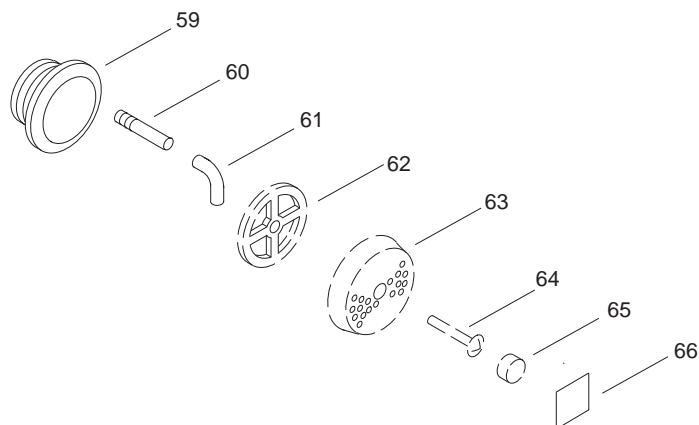
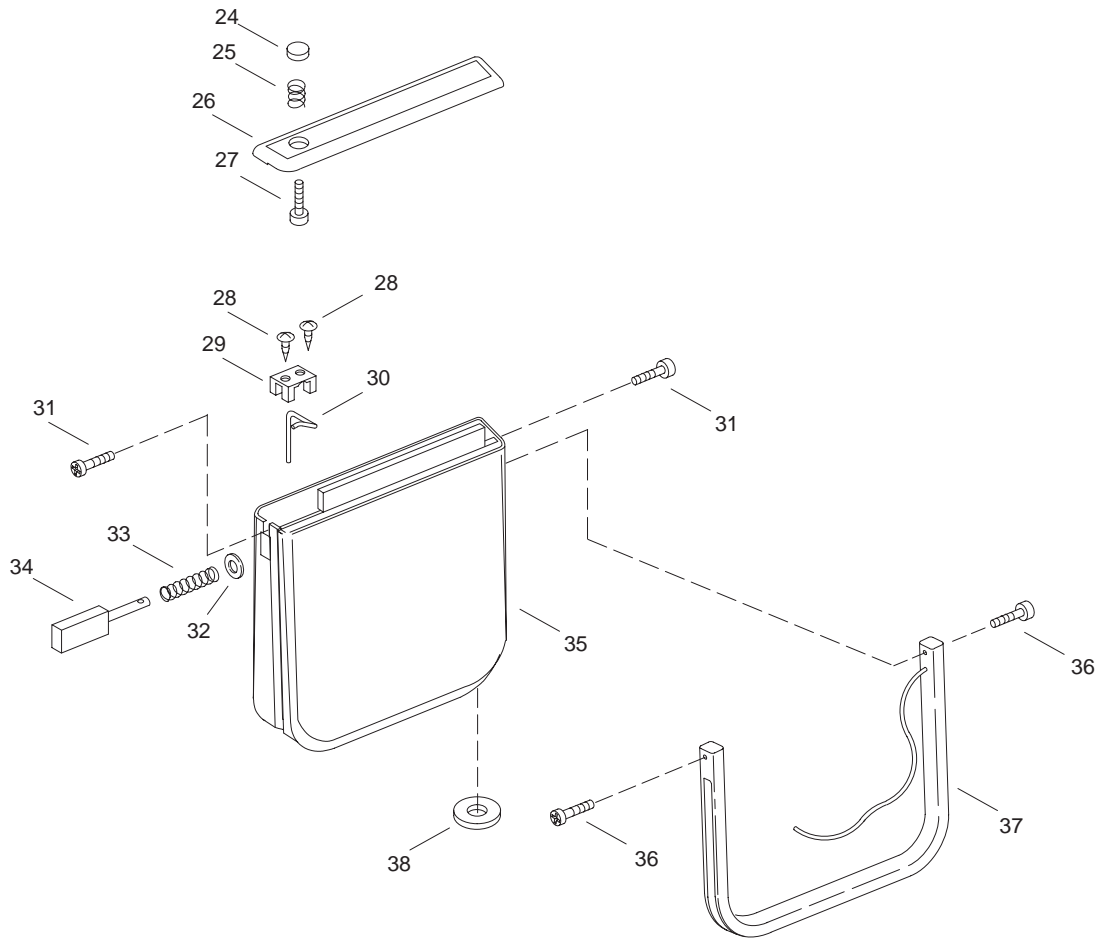
Intentionally Blank



Variation and/or finish/color code may be required when ordering.



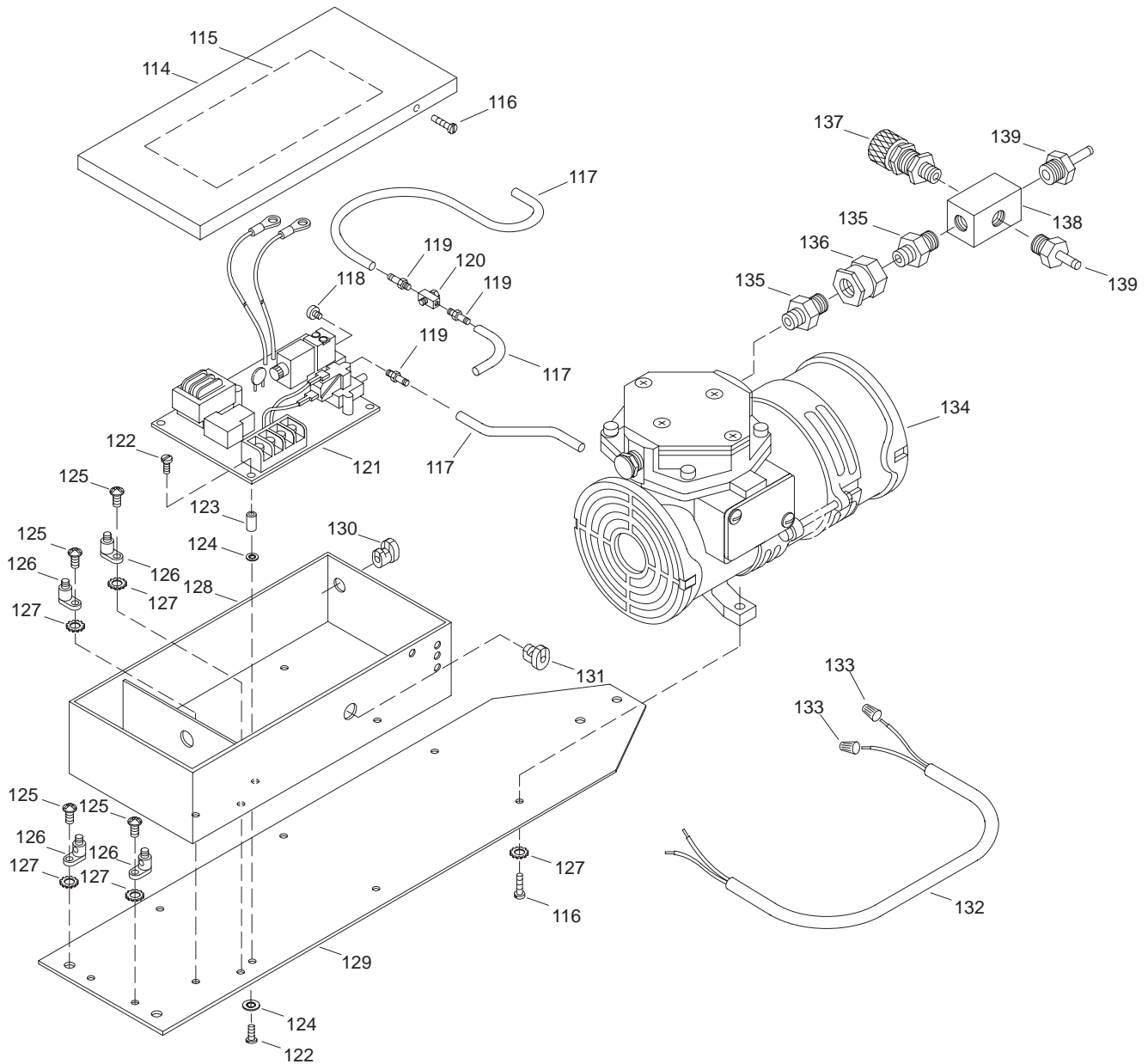
Variation and/or finish/color code may be required when ordering.



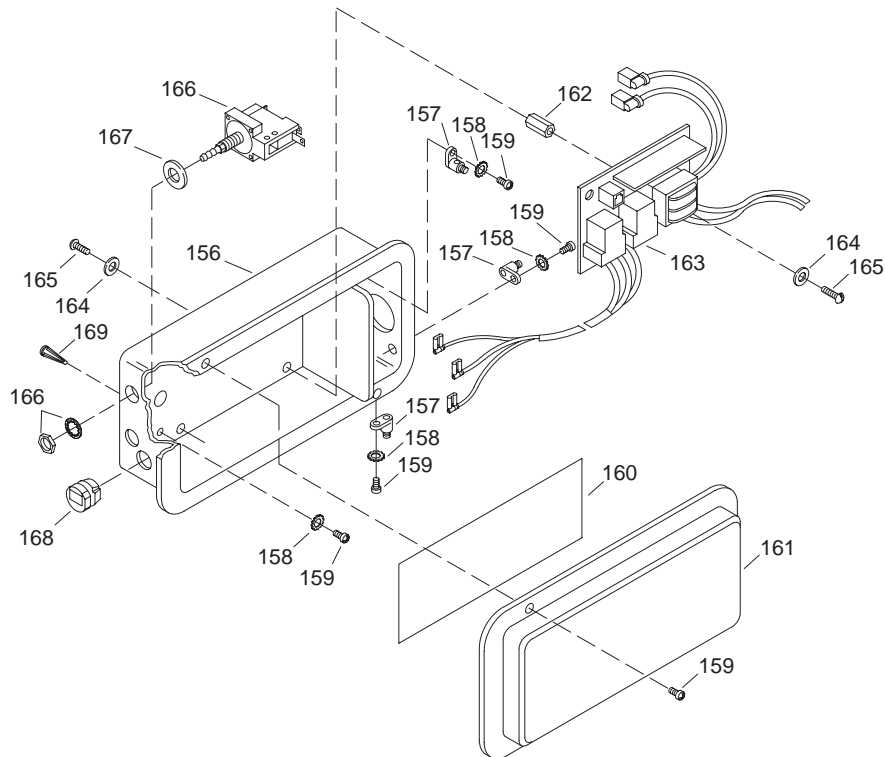
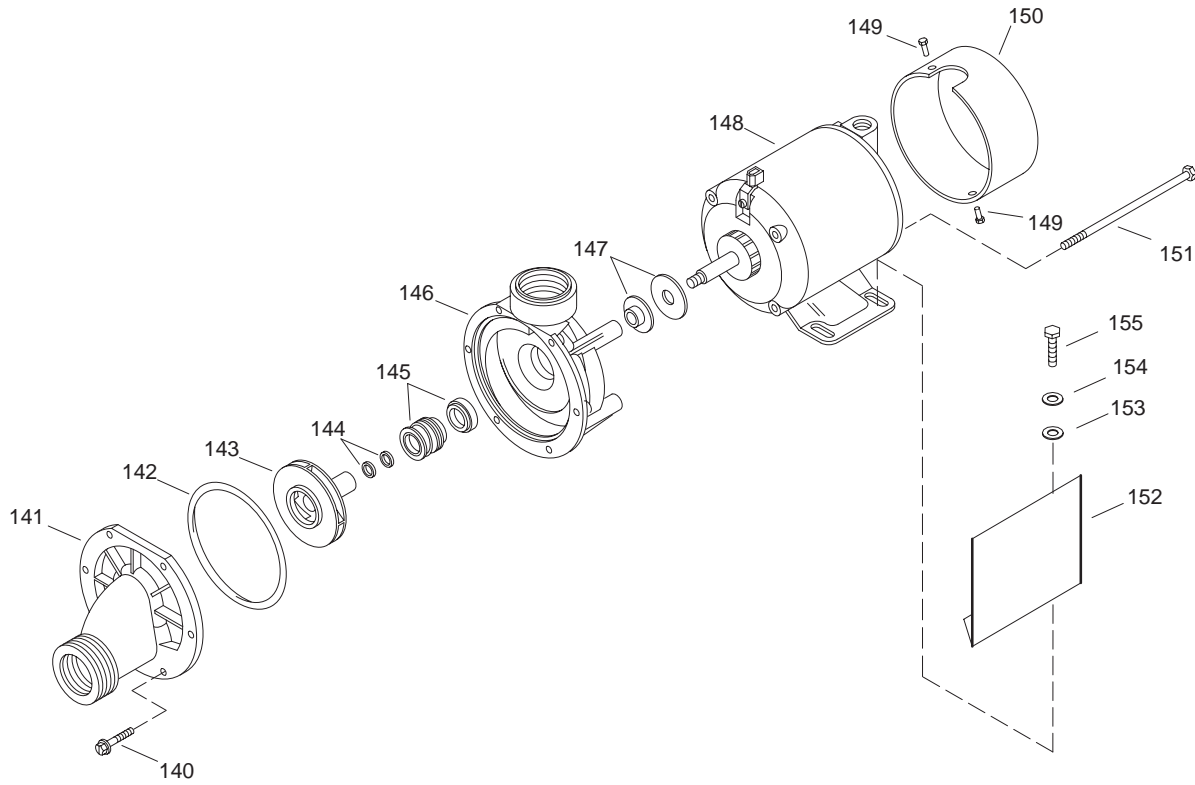
Variation and/or finish/color code may be required when ordering.

KOHLER SERVICE PARTS

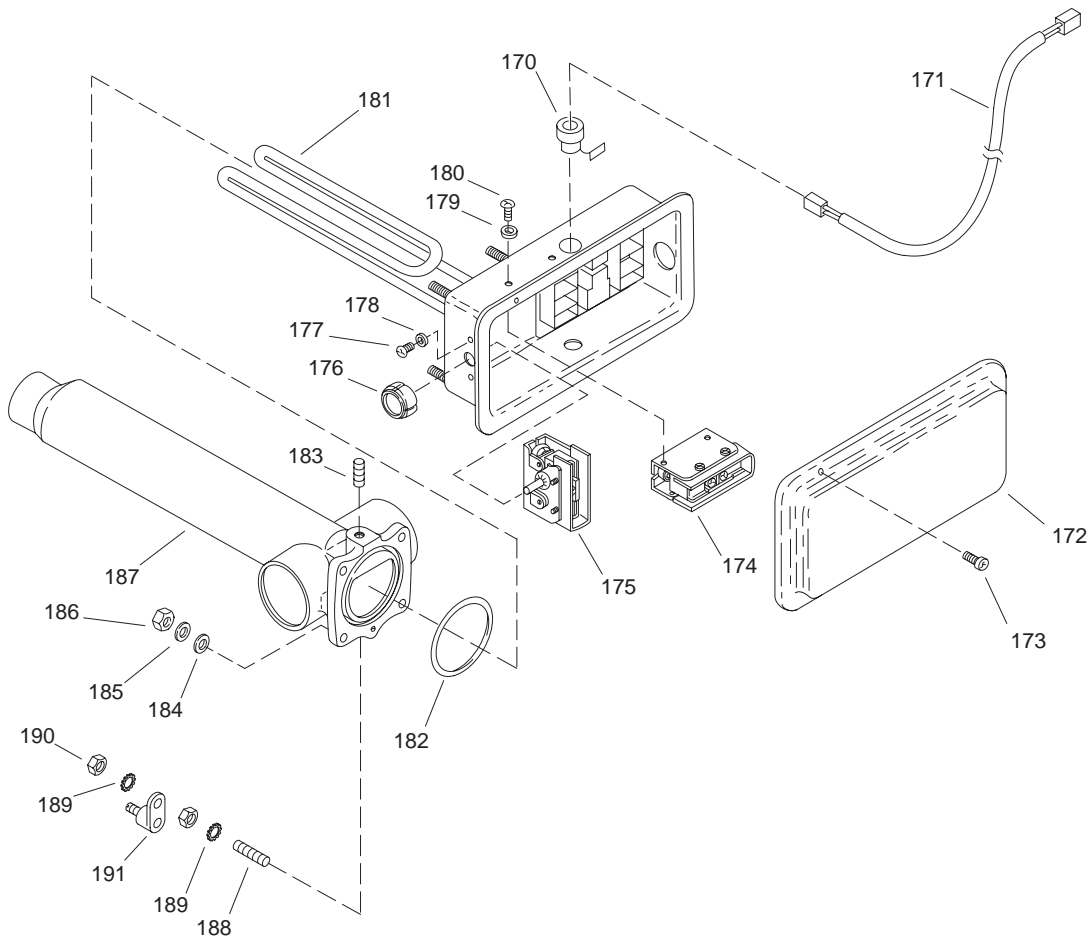
PRECEDENCE™ WHIRLPOOL BATH
K-1356-**-AA
K-1356-H-**-AA



Variation and/or finish/color code may be required when ordering.



Variation and/or finish/color code may be required when ordering.



Variation and/or finish/color code may be required when ordering.

SERVICE PARTS

| ITEM NO. | PART NO. | DESCRIPTION |
|----------|----------|--|
| 1 | | Not Available as a Service Part |
| 2 | 91761 | Nut, Stop, 5/16-18 SS |
| 3 | 91643 | Washer, Flat, 5/16 SS |
| 4 | 91561 | Seat, Hinge, Assembly |
| 5 | 91540 | Cover, Hinge, Seat |
| 6 | 91470 | Gasket, Hinge, Seat |
| 7 | 64212 | Washer, Flat, 1/4 |
| 8 | 91774 | Wedge, Seat Assembly |
| 9 | 60125 | Washer, Lock 1/4 |
| 10 | 23094 | Nut, .25-20 UNC-2B Steel, Hex Nut |
| 11 | 92622 | Grommet, Grab Bar |
| 12 | 92623 | Assembly, Grab Bar |
| 13 | 92624 | Screw, Set, 10-24 x .44 |
| 14 | 90774 | Washer, .406 ID x 1.25 OD |
| 15 | 60043 | Washer, Lock, 3/8 |
| 16 | 60044 | Nut, .375-16 UNC-2B |
| 17 | 91367 | End Post |
| 18 | 92066 | Screw, Drywall, 1.00 |
| 19 | 97243 | Screw, Drywall 1.50 |
| 20 | 91649 | Wood/Tee Nut Assembly |
| 21 | 90154 | Locknut, 5/16-18 |
| 22 | 97195 | Support, Heater |
| 23 | 64163 | Screw, .250-20 UNC x .625 ST- Hex Hd |
| 24 | 91279 | Button, Door |
| 25 | 91616 | Spring, Button, Door |
| 26 | 91107 | Top Cover |
| 27 | 91300 | Clip, Christmas Tree |
| 28 | 93192 | Screw, #6 x .75 Slf Tap |
| 29 | 93185 | Rod Guide |
| 30 | 91560 | Rod |
| 31 | 93243 | Screw, #8 x .5, SS |
| 32 | 97240 | Washer |
| 33 | 91290 | Spring |
| 34 | 91284 | Plunger |
| 35 | | Available In Service Kit Only |
| 36 | 93244 | Screw, #8 x1, SS |
| 37 | 91280 | Seal, Door |
| 38 | 92062 | Washer, 1 OD x .781 ID |
| 39 | 97227 | Sensor, Water Level |
| 40 | 91783 | Washer, Nylon, 1/4 |
| 41 | 90153 | Locknut, 1/4-20 |
| 42 | 55516 | Screw, #10 x .75 ST-Sltd Hex Washer Hd |
| 43 | 91115 | Apron, Large, RH |
| 44 | 97225 | Gasket, Apron |
| 45 | 92163 | Seal, Door |
| 46 | 91116 | Apron, Small, RH |
| 47 | 97224 | Strip, Floor Kick |
| 48 | 60980 | O-Ring, 1.984 ID x .139 |
| 49 | 60848 | Connector, 1-1/4" PVC |
| 50 | 60979 | Slip Nut, 2.438-8 Butt |
| 51 | 91273 | Tube, 1.25 PVC F x 4.50 |
| 52 | 60559 | Elbow, 90 Deg 1.25 Slip x 1.25 Slip |
| 53 | 91276 | Tube, 1.25 PVC x 35.61 |
| 54 | 66265 | Coupling, Slip 1.25 x 1.25 |
| 55 | 93398 | Tube, 1-1/4 Nom, Flex PVC |
| 56 | 65056 | Housing Assembly, Suction, LH |
| 57 | 65886 | Gasket, Tapered |
| 58 | 93399 | Tube, 1/8 ID PVC Flex, Black |
| 59 | 65036 | Flange, Suction |
| 60 | 65059 | Tube, Suction Housing |
| 61 | 65122 | Elbow, Suction |
| 62 | | Shown for Reference Only |
| 63 | | Shown for Reference Only |
| 64 | | Shown for Reference Only |
| 65 | | Shown for Reference Only |
| 66 | 66480 | Label, Suction |
| 67 | 60235 | Cable Tie, 5/16 x 14-3/4 |
| 68 | 65157 | Nut, 1.5625-16 UNR-2B Celcon, Finger Nut |
| 69 | 65156 | Flange, Switch |
| 70 | 91881 | Switch Assembly, Heater, (K-1356-H) |
| | 91879 | Switch Assembly, (K-1356) |
| 71 | 93400 | Tube, 1/2 Nom PVC Flex |

SERVICE PARTS

| ITEM NO. | PART NO. | DESCRIPTION |
|----------|----------|--|
| 72 | 60561 | Reducer, 1 Nom x 1/2 Nom Style 2 |
| 73 | 60797 | Tee, Harness, 1-1/4 x 1 x 1 |
| 74 | 93401 | Tube, 1 Nom Flex, PVC |
| 75 | 61937 | Coupling, 1 Slip x 1 Slip |
| 76 | 91258 | Tube, 1.00 PVC F x 42.32 (K-1356-H) |
| | 91266 | Tube, 1.00 PVC F x 27.63 (K-1356) |
| 77 | 61536 | Elbow, 1 Nom x 90 Street PVC |
| 78 | 61563 | Tee, 1 Nom |
| 79 | 60558 | Tube, 1 Nom x 2-1/2 |
| 80 | 67889 | Housing Assembly, PVC Jet |
| 81 | 65885 | Gasket, Tapered |
| 82 | 67429 | Flange |
| 83 | | Shown for Reference Only |
| 84 | | Shown for Reference Only |
| 85 | 63352 | Tee, 1 Nom Slip x 1 Nom Slip x 1/2 Nom Slip |
| 86 | 97196 | Standpipe Assembly |
| 87 | 91260 | Tube, .50 PVC F x 16.73 |
| 88 | 91259 | Tube, 1.00 PVC F x 14.06 |
| 89 | 67665 | Plug, 1 PVC |
| 90 | 91735 | Tube, .50 PVC x 1.75 |
| 91 | 97247 | Elbow, 45 PVC, .50 x .50 |
| 92 | 69961 | Tube, .50 PVC F x 10.321 |
| 93 | 91334 | Tube, .50 PVC F x 9.87 |
| 94 | 91262 | Tube, 1.00 PVC F x 21.32 |
| 95 | 91261 | Tube, 1.00 PVC F x 17.65 |
| 96 | 91270 | Tube, 1.00 PVC F x 33.57 |
| 97 | 60845 | Connector, Suction, 1-1/2" Formed (K-1356-H) |
| | 60848 | Connector, Suction, 1-1/4" Formed (K-1356) |
| 98 | 93402 | Wire, 8 AWG Ground, Copper |
| 99 | 68693 | Bushing, Strain Relief |
| 100 | 68577 | Cord Grip, Range .375-50 |
| 101 | 69589 | Bushing, Strain Relief |
| 102 | 66493 | Wire, 14/3 Type SJOW |
| 103 | 62980 | Wire Nut |
| 104 | 93403 | Wire, 8 AWG Ground, Copper |
| 105 | 67264 | Bushing, Strain Relief Cord, Dia. .300/Hole .500 |
| 106 | 97246 | Union, PVC, 1 SL x 1 Thd |
| 107 | 61637 | Tube, 1-1/2 Nom x 2-1/2 Copper |
| 108 | 60028 | Elbow, 90 Deg Street Wrt 1.50 C x 1.50 FTG |
| 109 | 91364 | Adapter, 1.50 x 1.00 Copper |
| 110 | 97199 | Bushing, Flush 1.50 x 1 |
| 111 | 61816 | Adapter, Male PVC 1 Slip x 1 NPT |
| 112 | 61361 | Elbow, 90 Deg Street PVC 1/2 SP x 1/2 Slip |
| 113 | 97200 | Union, PVC, .50 x .50 |
| 114 | 97210 | Cover, Compressor Base |
| 115 | | Available in Service Kit Only |
| 116 | 90496 | Screw, .190-32 UNF-2A x .50 |
| 117 | 93404 | Tubing, 1/4 Polyurethane |
| 118 | 91990 | Plug, #10-32 |
| 119 | 91988 | Fitting, Barbed |
| 120 | 91989 | Tee |
| 121 | 97230 | Circuit Board Assembly |
| 122 | 64470 | Screw, .164-32 UNC x .375 |
| 123 | 91814 | Threaded Spacer, #8-32 |
| 124 | 64468 | Washer, #8 Int Tooth, Lock |
| 125 | 63571 | Screw, #10-32 x .25 |
| 126 | 67065 | Lug, Ground |
| 127 | 61776 | Washer, #10 Int/Ext |
| 128 | 91784 | Box, Compressor Base |
| 129 | 97249 | Plate, Compressor Base |
| 130 | 68693 | Bushing, Strain Relief |
| 131 | 67264 | Bushing, Strain Relief |
| 132 | 91983 | Wire Assembly, PC Board |
| 133 | 92230 | Wire Joint |
| 134 | 91267 | Compressor |
| 135 | 92197 | Hex Nipple |
| 136 | 97140 | Check Valve |
| 137 | 97141 | Pressure Relief |
| 138 | 91872 | Manifold |
| 139 | 91875 | Connector, Male |
| 140 | 60982 | Screw, 10-32 UNF, Slit Hex, Wash. Hd. |
| 141 | 60926 | Pump Housing Cover Assembly |

Variation and/or finish/color code may be required when ordering.

SERVICE PARTS

| ITEM NO. | PART NO. | DESCRIPTION |
|----------|----------|-------------------------------|
| 142 | 60981 | O-Ring |
| 143 | 60994 | Impeller Assembly, 1HP |
| 144 | | Available In Service Kit Only |
| 145 | 60985 | Shaft Seal |
| 146 | 60927 | Volute Assembly |
| 147 | 60972 | Slinger |
| 148 | | Available In Service Kit Only |
| 149 | | Available In Service Kit Only |
| 150 | | Available In Service Kit Only |
| 151 | | Available In Service Kit Only |
| 152 | 66462 | Plate, ID |
| 153 | 67095 | Washer, Flat, 5/16 |
| 154 | 67123 | Washer, Split Lock, 5/16 CD |
| 155 | 61155 | Screw, .313-18 UNC x 1.250 |
| 156 | 65160 | Enclosure Assembly |
| 157 | 67065 | Ground Lug |
| 158 | 61776 | Washer, #10 Int/Ext Tooth |
| 159 | 60320 | Screw, 10-32 |
| 160 | | Available In Service Kit Only |
| 161 | 60340 | Cover, Electrical Box |
| 162 | 91233 | Threaded Spacer, Hex |
| 163 | 66537 | Circuit Board Assembly |
| 164 | 63194 | Lockwasher, #4 |
| 165 | 67140 | Screw, Slotted Pan Head |
| 166 | 91239 | Air Pressure Switch |
| 167 | 91355 | Washer, .375 Nom. x .812 OD |
| 168 | 69589 | Bushing, Strain Relief |
| 169 | 65193 | Support, Circuit Board |
| 170 | 67264 | Strain Relief Bushing |
| 171 | 68686 | Cord |
| 172 | 30789 | Cover |
| 173 | 60320 | Screw, #10, Self-Tap |
| 174 | | Available In Service Kit Only |
| 175 | | Available In Service Kit Only |
| 176 | 65186 | Knob, Thermostat |
| 177 | 69079 | Screw, 6-32 x .25 |
| 178 | 64463 | Washer, #6 Internal Tooth |
| 179 | 64468 | Washer, #8 Internal Tooth |
| 180 | 63563 | Screw, 8-32 x .25 |
| 181 | 65194 | Heater Flange Assembly |
| 182 | 65197 | O-Ring |
| 183 | 65201 | Stud, 5/16-18 x 1.0 Set |
| 184 | 69472 | Washer, Flat, 1/4 |
| 185 | 60125 | Washer, Lock |
| 186 | 69473 | Nut |
| 187 | | Available In Service Kit Only |
| 188 | 65200 | Screw, #10-32 x 1.0 Set |
| 189 | 61776 | Washer, #10 Star |
| 190 | 60170 | Nut, #10-32 Hex |
| 191 | 67065 | Ground Lug |

SERVICE KITS

| PART NO. | ITEM NO. | QTY. | DESCRIPTION |
|----------|----------|-------|---------------------------------------|
| 91113 | | | Door Assembly |
| | 24 | 1 ea. | Button, Door |
| | 25 | 1 ea. | Spring, Button, Door |
| | 26 | 1 ea. | Top Cover |
| | 27 | 1 ea. | Clip, Christmas Tree |
| | 28 | 2 ea. | Screw, #6 x .75 Slf Tap |
| | 29 | 1 ea. | Rod Guide |
| | 30 | 1 ea. | Rod |
| | 31 | 2 ea. | Screw, #8 x .5, SS |
| | 32 | 1 ea. | Washer |
| | 33 | 1 ea. | Spring |
| | 34 | 1 ea. | Plunger |
| | 35 | 1 ea. | Core Assembly |
| 97156 | | | Compressor Assembly |
| | 114 | 1 ea. | Cover, Compressor Base |
| | 115 | 1 ea. | Label, Wiring Diagram |
| | 116 | 7 ea. | Screw, .190-32 UNF-2A x .50 |
| | 117 | 1 ea. | Tubing, 1/4 Polyurethane |
| | 118 | 1 ea. | Plug, #10-32 |
| | 119 | 3 ea. | Fitting, Barbed |
| | 120 | 1 ea. | Tee |
| | 121 | 1 ea. | Circuit Board Assembly |
| | 122 | 4 ea. | Screw, .164-32 UNC x .375 |
| | 123 | 4 ea. | Threaded Spacer, #8-32 |
| | 124 | 4 ea. | Washer, #8 Int Tooth, Lock |
| | 125 | 4 ea. | Screw, #10-32 x .25 |
| | 126 | 4 ea. | Lug, Ground |
| | 127 | 4 ea. | Washer, #10 Int/Ext |
| | 128 | 1 ea. | Box, Compressor Base |
| | 129 | 1 ea. | Plate, Compressor Base |
| | 130 | 1 ea. | Bushing, Strain Relief |
| | 131 | 1 ea. | Bushing, Strain Relief |
| | 132 | 1 ea. | Wire Assembly, PC Board |
| | 133 | 2 ea. | Wire Joint |
| | 134 | 1 ea. | Compressor |
| | 135 | 2 ea. | Hex Nipple |
| | 136 | 1 ea. | Check Valve |
| | 137 | 1 ea. | Pressure Relief |
| | 138 | 1 ea. | Manifold |
| | 139 | 2 ea. | Connector, Male |
| 60910 | | | Pump Assembly |
| | 140 | 1 ea. | Screw, 10-32 UNF, Slit Hex, Wash. Hd. |
| | 141 | 1 ea. | Pump Housing Cover Assembly |
| | 142 | 1 ea. | O-Ring |
| | 143 | 1 ea. | Impeller Assembly, 1HP |
| | 144 | 2 ea. | Shim, .010 |
| | 145 | 1 ea. | Shaft Seal |
| | 146 | 1 ea. | Volute Assembly |
| | 147 | 1 ea. | Slinger |
| | 148 | 1 ea. | Two Speed Pump Motor |
| | 149 | 3 ea. | Screw |
| | 150 | 1 ea. | End Cap |
| | 151 | 4 ea. | Bolt |
| 67631 | | | Seal Kit |
| | 142 | 1 ea. | O-Ring |
| | 145 | 1 ea. | Shaft Seal |
| | 147 | 1 ea. | Slinger |
| 60912 | | | Shim Kit |
| | 144 | 2 ea. | Shim, .010 |
| 60911 | | | Two Speed Pump Motor, 1.0-1/8 H.P. |
| | 148 | 1 ea. | Two Speed Pump Motor |
| | 149 | 3 ea. | Screw |
| | 150 | 1 ea. | End Cap |
| | 151 | 4 ea. | Bolt |

Variation and/or finish/color code may be required when ordering.

SERVICE KITS

| PART NO. | ITEM NO. | QTY. | DESCRIPTION |
|----------|----------|--------|-----------------------------|
| 500460 | | | Two Speed Control |
| | 156 | 1 ea. | Enclosure Assembly |
| | 157 | 3 ea. | Ground Lug |
| | 158 | 14 ea. | Washer, #10 Int/Ext Tooth |
| | 159 | 6 ea. | Screw, 10-32 |
| | 160 | 1 ea. | Label, Wiring Diagram |
| | 161 | 1 ea. | Cover, Electrical Box |
| | 162 | 2 ea. | Threaded Spacer, Hex |
| | 163 | 1 ea. | Circuit Board Assembly |
| | 164 | 4 ea. | Lockwasher, #4 |
| | 165 | 1 ea. | Screw, Slotted Pan Head |
| | 166 | 1 ea. | Air Pressure Switch |
| | 167 | 1 ea. | Washer, .375 Nom. x .812 OD |
| | 168 | 1 ea. | Bushing, Strain Relief |
| | 169 | 2 ea. | Support, Circuit Board |
| 65741 | | | Whirlpool Heater Assembly |
| | 170 | 1 ea. | Strain Relief Bushing |
| | 171 | 1 ea. | Cord |
| | 172 | 1 ea. | Cover |
| | 173 | 2 ea. | Screw, #10, Self Tap |
| | 174 | 1 ea. | High Limit Switch |
| | 175 | 1 ea. | Thermostat |
| | 176 | 1 ea. | Knob, Thermostat |
| | 177 | 2 ea. | Screw, 6-32 x .25 |
| | 178 | 2 ea. | Washer, #6 Internal Tooth |
| | 179 | 4 ea. | Washer, #8 Internal Tooth |
| | 180 | 2 ea. | Screw, 8-32 x .25 |
| | 181 | 1 ea. | Heater Flange Assembly |
| 500346 | | | High Limit Switch Kit |
| | 174 | 1 ea. | High Limit Switch |
| | 179 | 2 ea. | Washer, #8 Internal Tooth |
| | 180 | 2 ea. | Screw, 8-32 x .25 |
| 500345 | | | Thermostat Kit |
| | 175 | 1 ea. | Thermostat |
| | 176 | 1 ea. | Knob, Thermostat |
| | 177 | 2 ea. | Screw, 6-32 x .25 |
| | 178 | 2 ea. | Washer, #6 Internal Tooth |
| 500386 | | | Heater Casting Kit |
| | 184 | 1 ea. | Washer, Flat, 1/4 |
| | 185 | 4 ea. | Washer, Lock |
| | 186 | 4 ea. | Nut |
| | 187 | 1 ea. | Heater Casting |
| 65196 | | | Heater Casting Assembly |
| | 183 | 1 ea. | Stud, 5/16-18 x 1.0 Set |
| | 187 | 1 ea. | Heater Casting |
| | 188 | 1 ea. | Screw, #10-32 x 1.0 Set |
| | 189 | 2 ea. | Washer, #10 Star |
| | 190 | 2 ea. | Nut, #10-32 Hex |
| | 191 | 1 ea. | Ground Lug |

Variation and/or finish/color code may be required when ordering.



KOHLER®

