

**BATH AND SHOWER FAUCET
K-120
ALSO K-122, K-124**

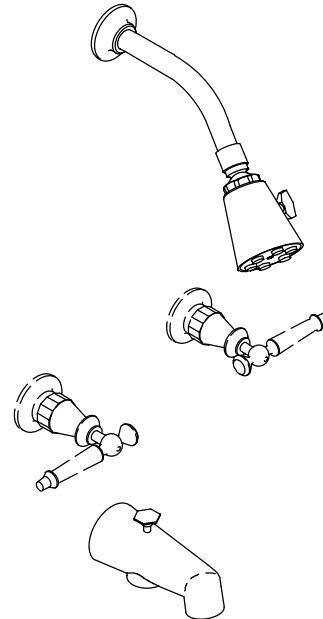
FEATURES

- Brass construction
- For 8" centers
- Brass valve bodies
- 1/2" quarter-turn washerless ceramic disc valves
- Available with six-prong or lever handles

CODES/STANDARDS APPLICABLE

Specified model meets or exceeds the following:

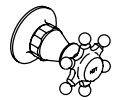
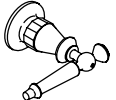
- ASME/ANSI A112.18.1M
- CSA B125
- IAPMO/UPC



COLORS/FINISHES

- CP Polished Chrome
- PB Polished Brass
- Other Refer to Faucets Price Book for additional finishes

SPECIFIED MODEL:

Model	Description		 ADA
K-120-3	Bath and Shower, Six-Prong Handles	<input type="checkbox"/> CP <input type="checkbox"/> PB	
K-120-4	Bath and Shower, Lever Handles		<input type="checkbox"/> CP <input type="checkbox"/> PB <input type="checkbox"/> Other_____
K-122-3	Shower Only, Six-Prong Handles	<input type="checkbox"/> CP <input type="checkbox"/> PB	
K-122-4	Shower Only, Lever Handles		<input type="checkbox"/> CP <input type="checkbox"/> PB <input type="checkbox"/> Other_____
K-124-3	Valve Only, Six-Prong Handles	<input type="checkbox"/> CP <input type="checkbox"/> PB	
K-124-4	Valve Only, Lever Handles		<input type="checkbox"/> CP <input type="checkbox"/> PB <input type="checkbox"/> Other_____

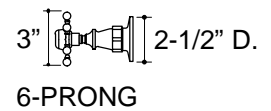
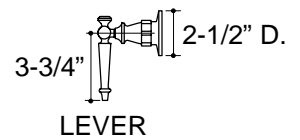
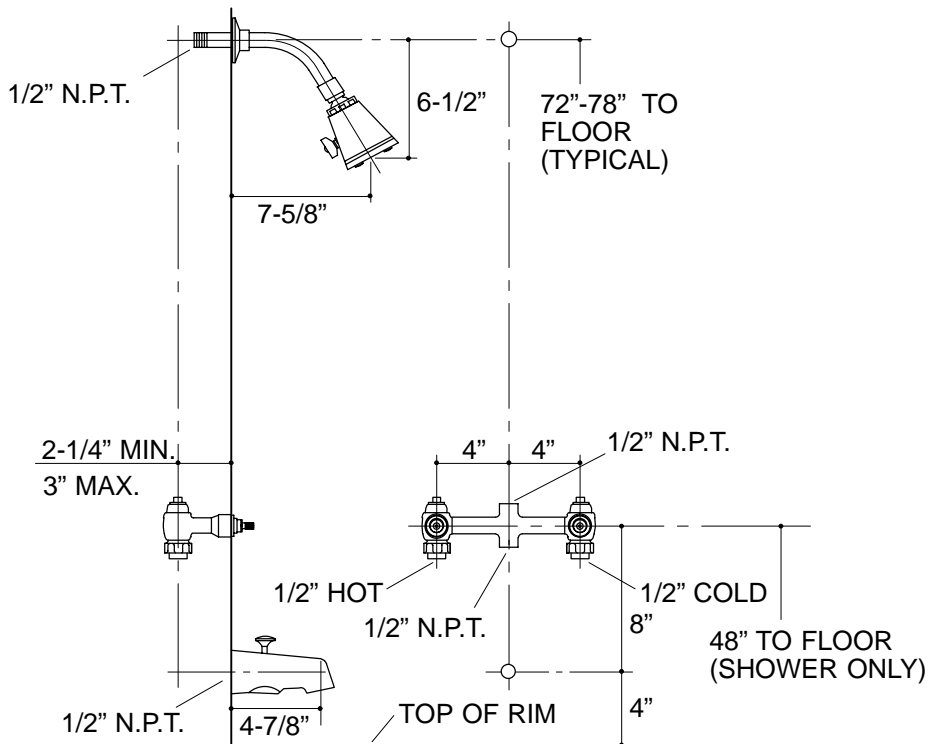
Optional Accessories on Page 2.

PRODUCT SPECIFICATION:

Two-handle bath and shower faucet shall be of brass construction. Faucet shall feature brass valve bodies. Faucet shall feature 1/2" quarter-turn washerless ceramic disc valves, assuring positive handle stop positioning. Bath and shower faucet shall include showerhead with arm and flange, 4-7/8" diverter spout with N.P.T. connection, and handles. Shower only faucet shall include showerhead with arm and flange, and handles. Valve only faucet shall include handles. Faucet shall be Kohler Model K-_____-_____-_____.

ANTIQUE™

Optional Accessories			
K-9639	Large Lever Insert, Single	<input type="checkbox"/> CP	<input type="checkbox"/> PB
K-9659	Large Lever Insert, Single	<input type="checkbox"/> Other _____	



332

PRODUCT DIAGRAM