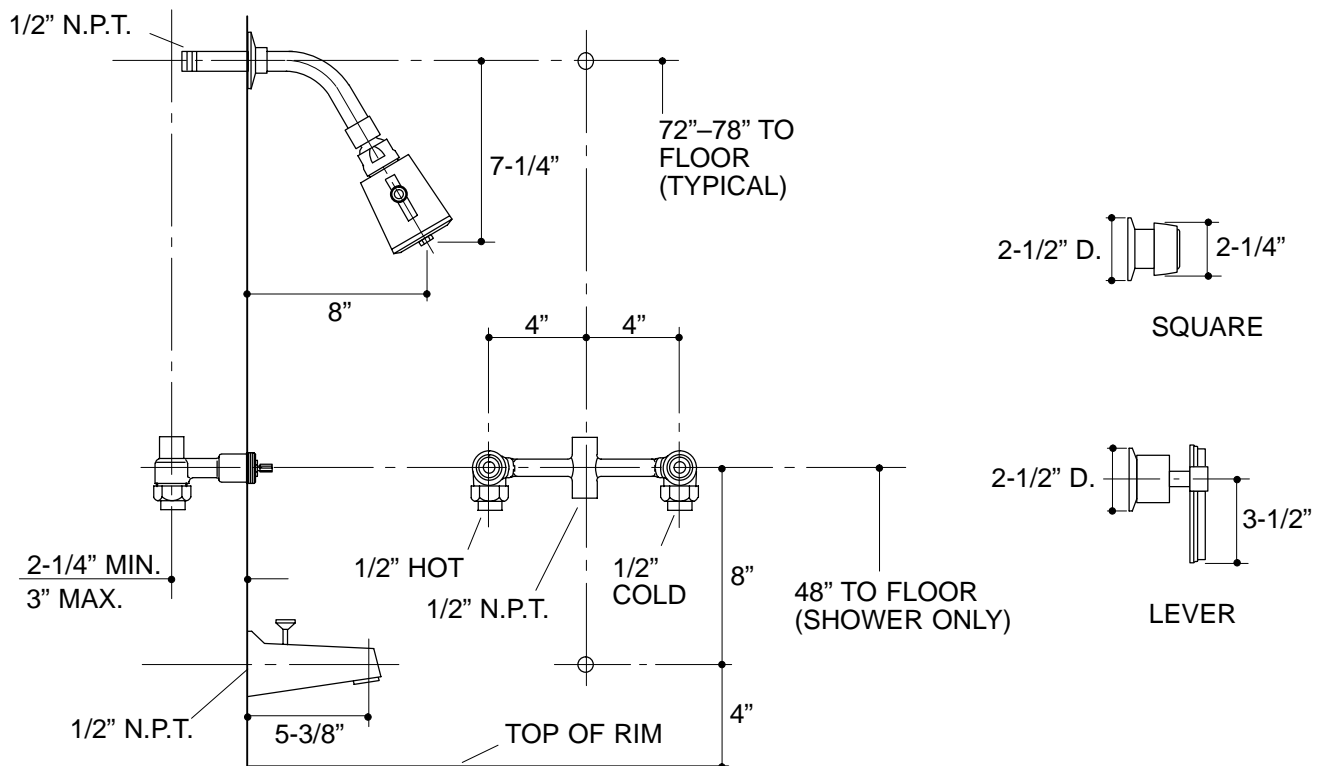


### Ordering Information

Applicable bath and shower faucet:	
Square handles	K-6931-2
Lever handles	K-6931-4
Applicable shower faucet:	
Square handles	K-6934-2
Lever handles	K-6934-4
Applicable valve only:	
Square handles	K-6930-2
Lever handles	K-6930-4
<b>ADA</b> Lever handles are ADA compliant	



**K-6930, K-6931, K-6934** Alterna™ Bath and Shower Faucet  
113600-1-AA (9619)

**NOTES:**