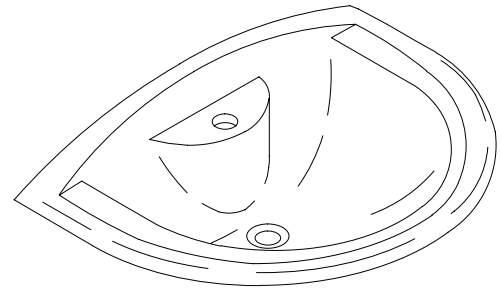


#### FEATURES

- 24-7/8" x 18-3/4"
- Vitreous china
- Self-rimming
- Single-hole drilling
- Polished chrome overflow trim
- ADA compliant



#### CODES/STANDARDS APPLICABLE

Specified model meets or exceeds the following:

- ADA
- ASME/ANSI A112.19.2M
- CABO/ANSI A117.1
- IAPMO/UPC
- State of Massachusetts

#### COLORS/FINISHES

- 0 White

#### Accessories:

- CP Polished Chrome

#### SPECIFIED MODEL:

Model	Description	Colors/Finishes
K-2246-1	Single-hole lavatory	<input type="checkbox"/> 0 White
Recommended Accessories		
K-8998	Trap	<input type="checkbox"/> CP
K-15000	Trocadero sheetflow lavatory faucet	<input type="checkbox"/> CP

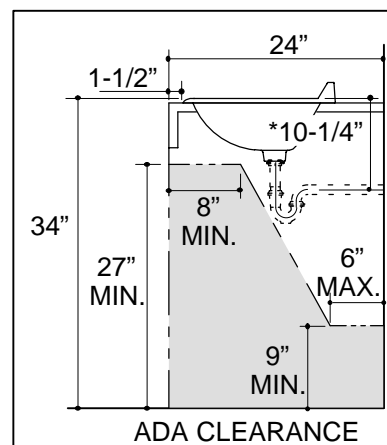
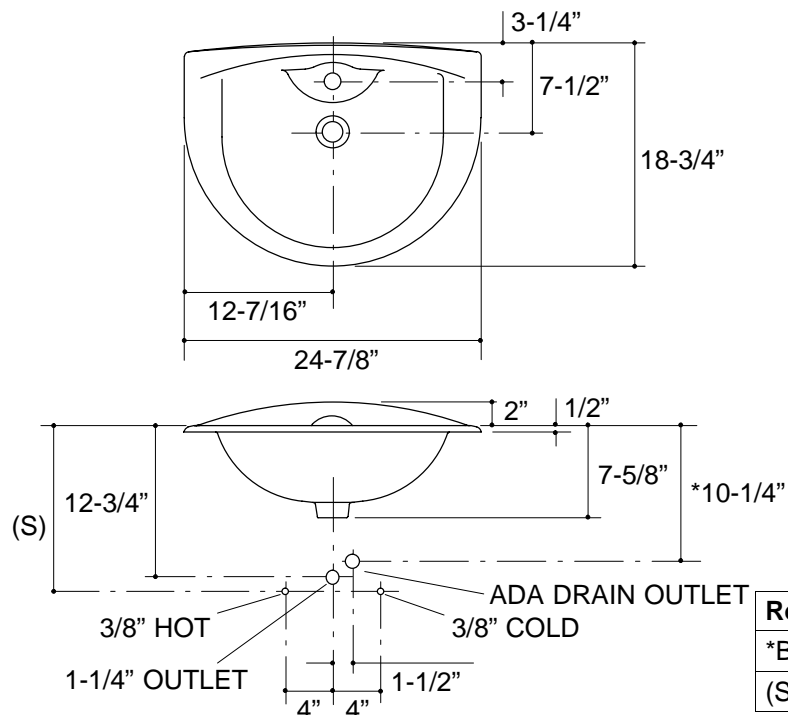
#### PRODUCT SPECIFICATION:

The self-rimming lavatory shall be 24-7/8" in length, and 18-3/4" in width. Lavatory shall be made of vitreous china. Lavatory shall have single-hole drilling. Lavatory shall have polished chrome overflow trim. Lavatory shall be ADA compliant. Lavatory shall be Kohler Model K-2246-1-\_\_\_\_\_.

# TROCADERO™

## PRODUCT INFORMATION

ADA compliant.			
Fixture*:		basin area	water depth
Lavatory		19" x 12"	5-7/8"
Outlet	1-3/4" D.		
* Approximate measurements for comparison only.			
Holes	<b>K-2246-1</b>		
Faucet	1-3/8" D.		
Included Components:			
Adhesive sealant		63034	
Cutout template		113603-X2	



### Roughing-In Notes

\*Based on K-8998, with 1" tailpiece exposed.

(S) 14" (Based on 12" riser which may require cutting).

1.1>116

## PRODUCT DIAGRAM