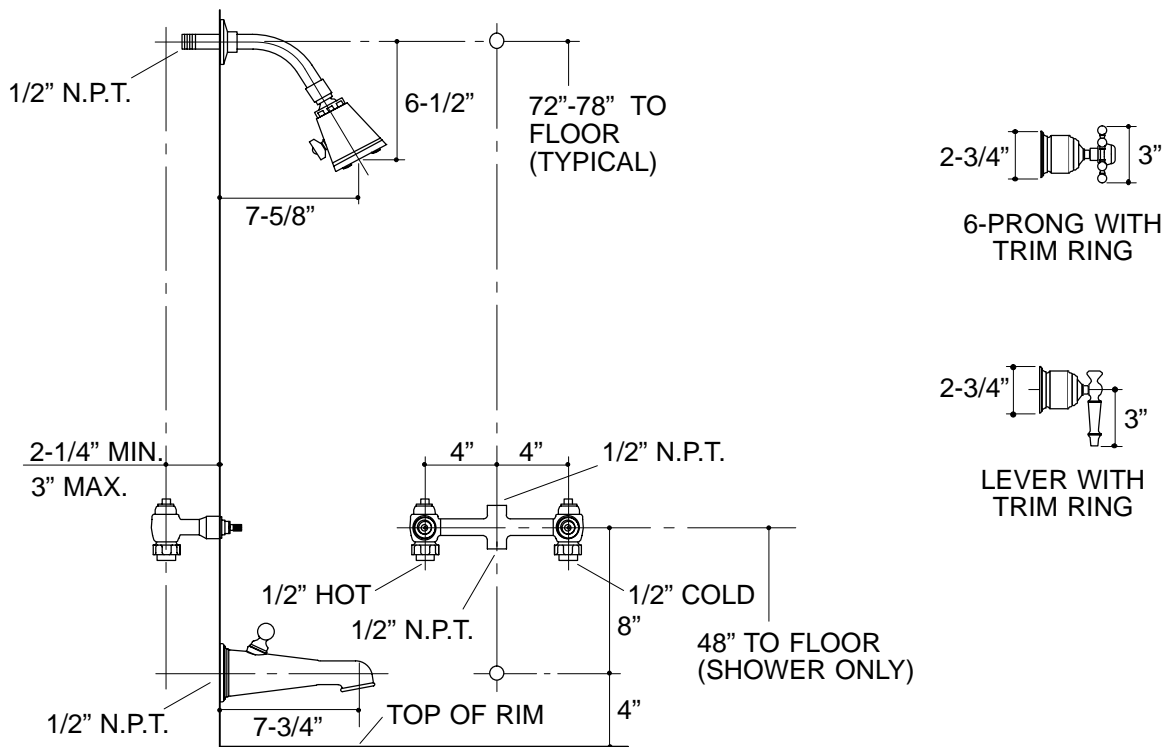


Ordering Information

| | |
|--|----------|
| Applicable faucet: | |
| Six-prong handles* | |
| valve | K-123-3D |
| shower | K-351-3D |
| bath and shower with diverter spout | K-359-3D |
| Lever handles* | |
| valve | K-123-4D |
| shower | K-351-4D |
| bath and shower with diverter spout | K-359-4D |
| Accessories/hardware: | |
| Curio trim rings (pr.) | K-17201 |
| *Requires trim rings. | |
| ADA Lever handles are ADA compliant | |



332

K-123, K-351, K-359 Antique™ Curio™ Bath and Shower Faucet
113611-1-AA (9619)

KOHLER®

NOTES: