

**BATH AND SHOWER FAUCET
K-359**

ALSO K-351, K-123

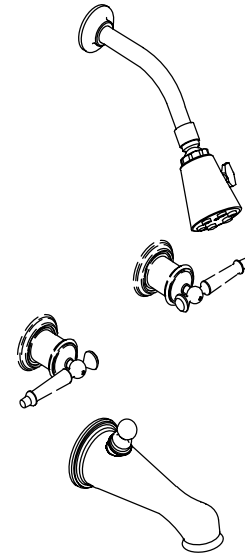
FEATURES

- Brass construction
- For 8" centers
- Brass valve bodies
- 1/2" quarter-turn washerless ceramic disc valves
- Available with Curio six-prong or lever handles

CODES/STANDARDS APPLICABLE

Specified model meets or exceeds the following:


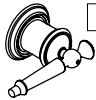
- ASME/ANSI A112.18.1M
- IAPMO/UPC
- NSF 14





COLORS/FINISHES

- CP Polished Chrome
- PB Polished Brass

SPECIFIED MODEL:

Model	Description		
K-123-3D	Valve Only, Curio Six-Prong Handles	<input type="checkbox"/> CP <input type="checkbox"/> PB	
K-123-4D	Valve Only, Curio Lever Handles		<input type="checkbox"/> CP <input type="checkbox"/> PB
K-351-3D	Shower Only, Curio Six-Prong Handles	<input type="checkbox"/> CP <input type="checkbox"/> PB	
K-351-4D	Shower Only, Curio Lever Handles		<input type="checkbox"/> CP <input type="checkbox"/> PB
K-359-3D	Bath and Shower, Curio Six-Prong Handles	<input type="checkbox"/> CP <input type="checkbox"/> PB	
K-359-4D	Bath and Shower, Curio Lever Handles		<input type="checkbox"/> CP <input type="checkbox"/> PB

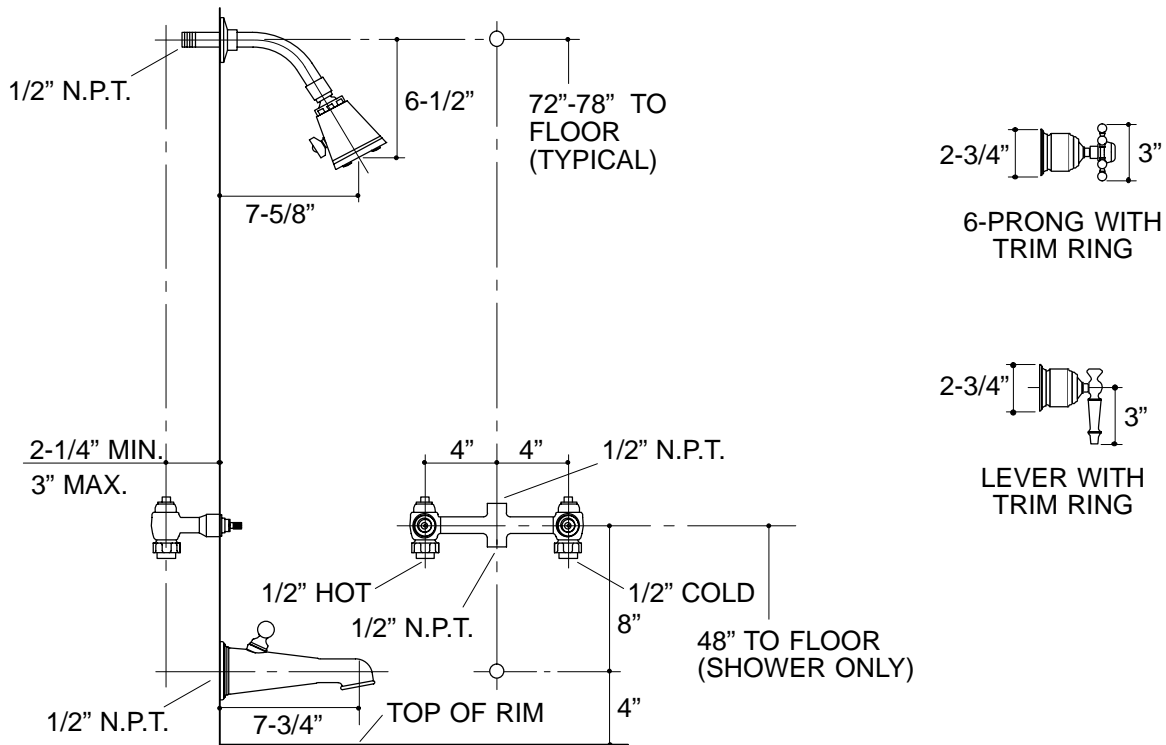
Required Accessory			
K-17201	Trim Rings-Pair, Metal	<input type="checkbox"/> CP	<input type="checkbox"/> PB

Optional Accessories on Page 2.

PRODUCT SPECIFICATION:
 Two-handle bath and shower faucet shall be of brass construction. Faucet shall feature brass valve bodies. Faucet shall feature 1/2" quarter-turn washerless ceramic disc valves, assuring positive handle stop positioning. Bath and shower faucet shall include showerhead with arm and flange, 7-3/4" diverter spout with N.P.T. connection, and handles. Shower only faucet shall include showerhead with arm and flange, and handles. Valve only faucet shall include handles. Faucet shall be Kohler Model K-_____-_____-_____ and trim rings shall be K-17201-_____.

ANTIQUE CURIO™

Optional Accessories			
K-9639	Large Lever Insert, Single	<input type="checkbox"/> CP	<input type="checkbox"/> PB
K-9659	Large Lever Insert, Single	<input type="checkbox"/> Other _____	



332

PRODUCT DIAGRAM