

Ordering Information

Accessories/hardware:		
Trocadero faucet	K-15000	recommended

Requirements Electrical Service

Dedicated circuit required, protected with Class A Ground-Fault Circuit-Interrupter (GFCI):	
Remote box	120 V., 15 A, 60 Hz

Remote Box To Unit

Two 25' lengths of nonmetallic sheathed cable 14-3 with ground. Use wire rated at 75° C min.

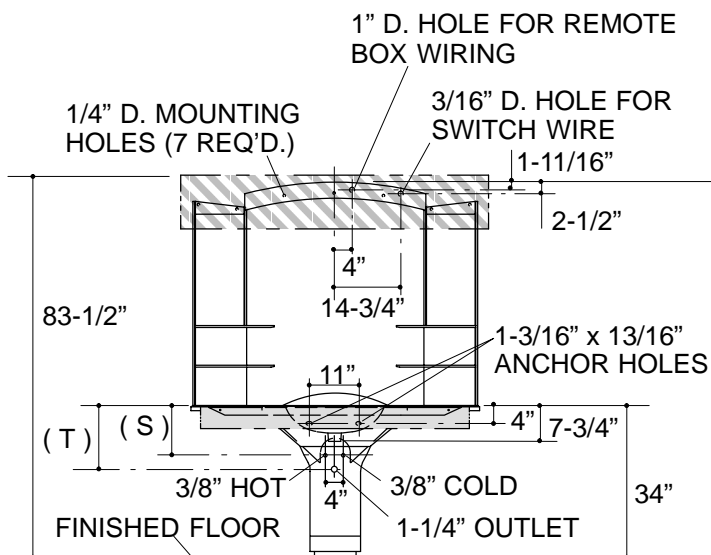
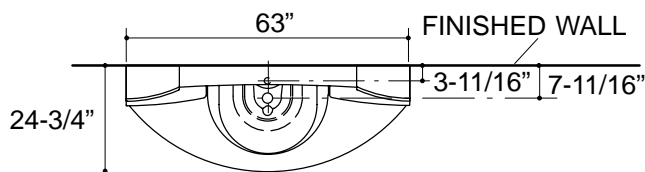
Product Information

Fixture*:		basin area	water depth
Lavatory		22" x 15"	6"
Outlet	1-3/4" D.		
Faucet hole	1-3/8" D.		

* Approximate measurements for comparison only.

Installation Notes

Refer to installation instructions included with fixture before beginning installation.



Roughing-In Notes

Fixture dimensions are nominal and conform to tolerances in ASME/ANSI Standard A112.19.2M.

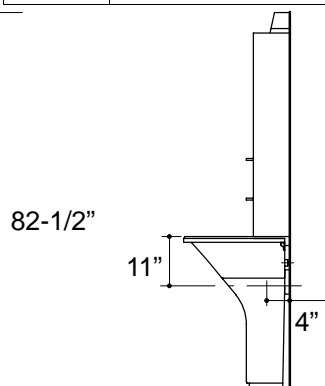
(T) Pop-up drain 14-1/4".

(S) 11" (Based on 12" riser which may require cutting).

*Supply stops must not protrude from wall more than 4".

Support in wall MUST be able to support 320 lbs. (50" x 6").

Support to attach upper cabinets and mirror in this area (65" x 10").



.75<132