

Ordering Information

Accessories/hardware:		
Trocadero faucet	K-15000	recommended

Requirements Electrical Service

Dedicated circuit required, protected with Class A Ground-Fault Circuit-Interrupter (GFCI):	
Remote box	120 V., 15 A, 60 Hz

Remote Box To Unit

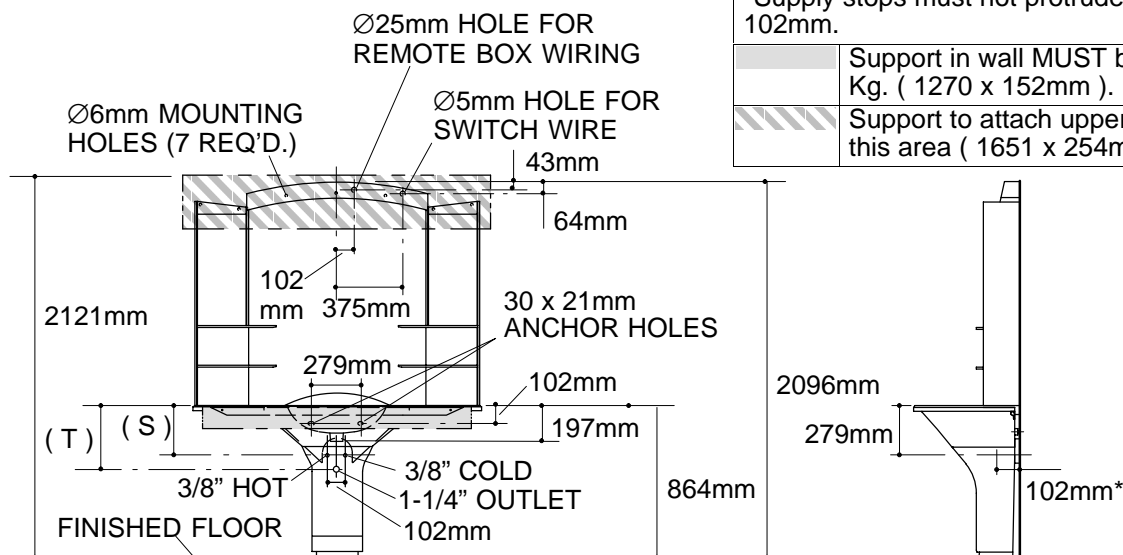
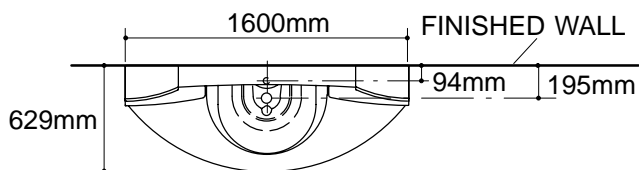
Two 7625mm lengths of nonmetallic sheathed cable 14-3 with ground. Use wire rated at 75° C min.

Product Information

Fixture*:		basin area	water depth
Lavatory		559 x 381mm	152mm
Outlet	Ø44mm		
Faucet hole	Ø35mm		
* Approximate measurements for comparison only.			

Installation Notes

Refer to installation instructions included with fixture before beginning installation.



Roughing-In Notes

Fixture dimensions are nominal and conform to tolerances in ASME/ANSI Standard A112.19.2M.	
(T) Pop-up drain 362mm.	
(S) 279mm (Based on 305mm riser which may require cutting).	
*Supply stops must not protrude from wall more than 102mm.	
	Support in wall MUST be able to support 145 Kg. (1270 x 152mm).
	Support to attach upper cabinets and mirror in this area (1651 x 254mm).

.75<132