

### Ordering Information

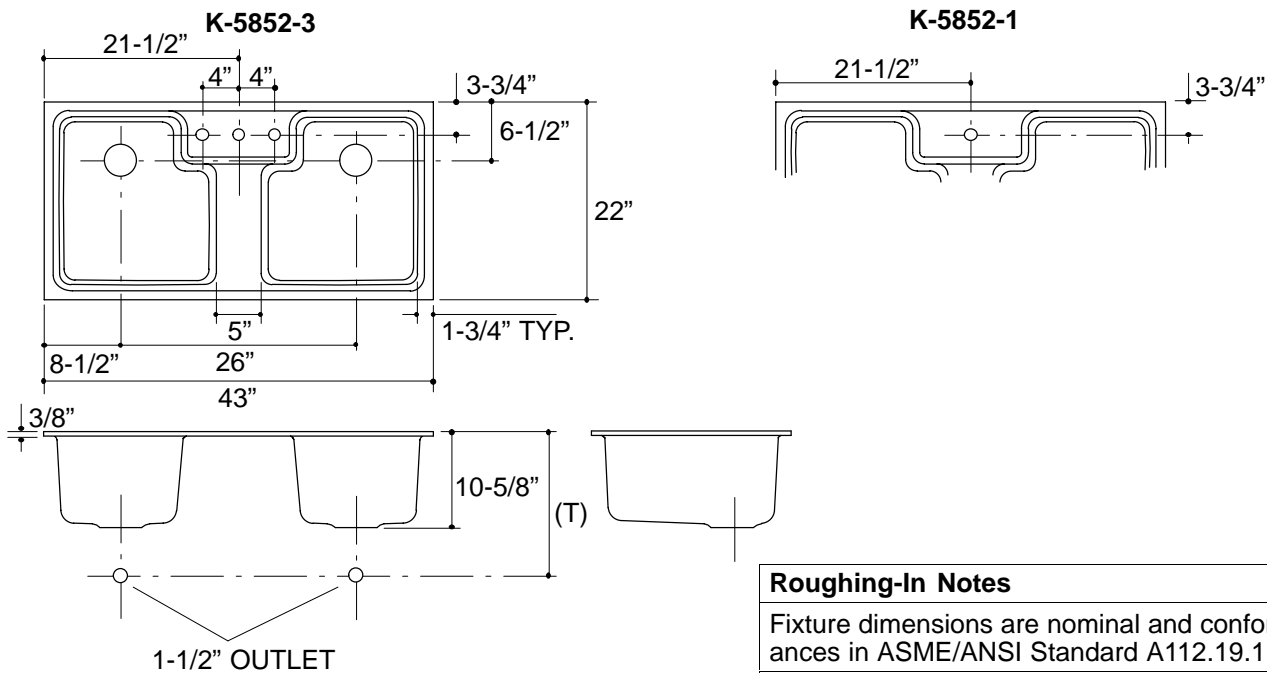
Applicable product:		
Three-hole sink	K-5852-3	shown
One-hole sink	K-5852-1	not shown
Accessories/hardware:		
Colander with saddle cover	K-5859	optional
Cutting board	K-5917	optional

### Product Information

Fixture*:		basin area	water depth
Sinks		17" x 19"	9"
Outlet	3-5/8" D.		
Faucet holes	1-3/8" D.		
* Approximate measurements for comparison only.			

### Installation Notes

Refer to installation instructions included with fixture before beginning installation.



#### Roughing-In Notes

Fixture dimensions are nominal and conform to tolerances in ASME/ANSI Standard A112.19.1M.

(T) Drain typically 16".

Cutout 41-3/4" x 20-3/4" with 1" radius corners.

.85>116

**K-5852** Cantina™ Sink  
113652-1-DA (-)

# KOHLER®