

Ordering Information

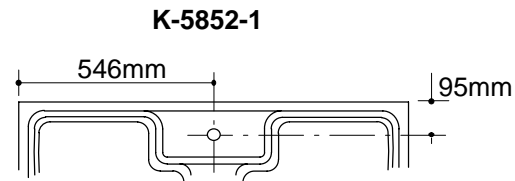
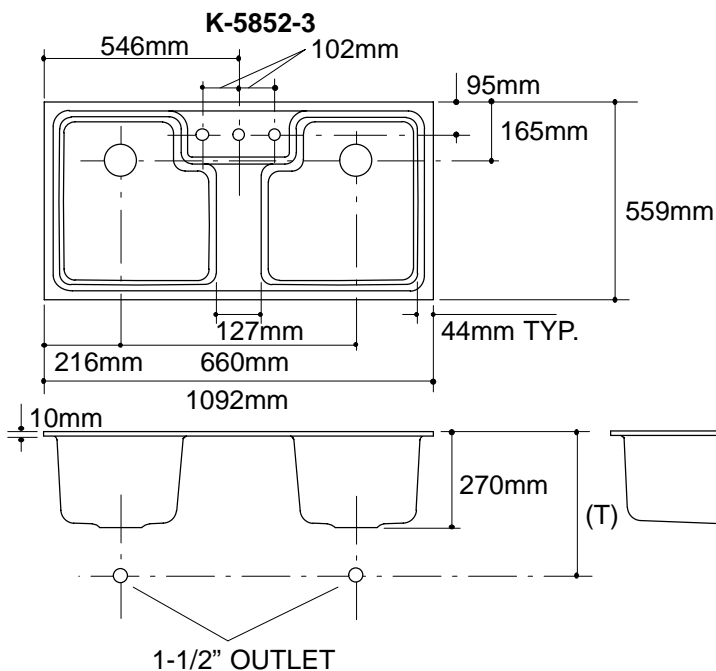
Applicable product:		
Three-hole sink	K-5852-3	shown
One-hole sink	K-5852-1	not shown
Accessories/hardware:		
Colander with saddle cover	K-5859	optional
Cutting board	K-5917	optional

Product Information

Fixture*:		basin area	water depth
Sinks		432 x 483mm	229mm
Outlet	Ø92mm		
Faucet holes	Ø35mm		
* Approximate measurements for comparison only.			

Installation Notes

Refer to installation instructions included with fixture before beginning installation.



Roughing-In Notes

Fixture dimensions are nominal and conform to tolerances in ASME/ANSI Standard A112.19.1M.

(T) Drain typically 406mm.

Cutout	1060 x 527mm with 25mm radius corners.
--------	--

.85>116

K-5852 Cantina™ Sink
113652-1M-BA (-)

KOHLER®