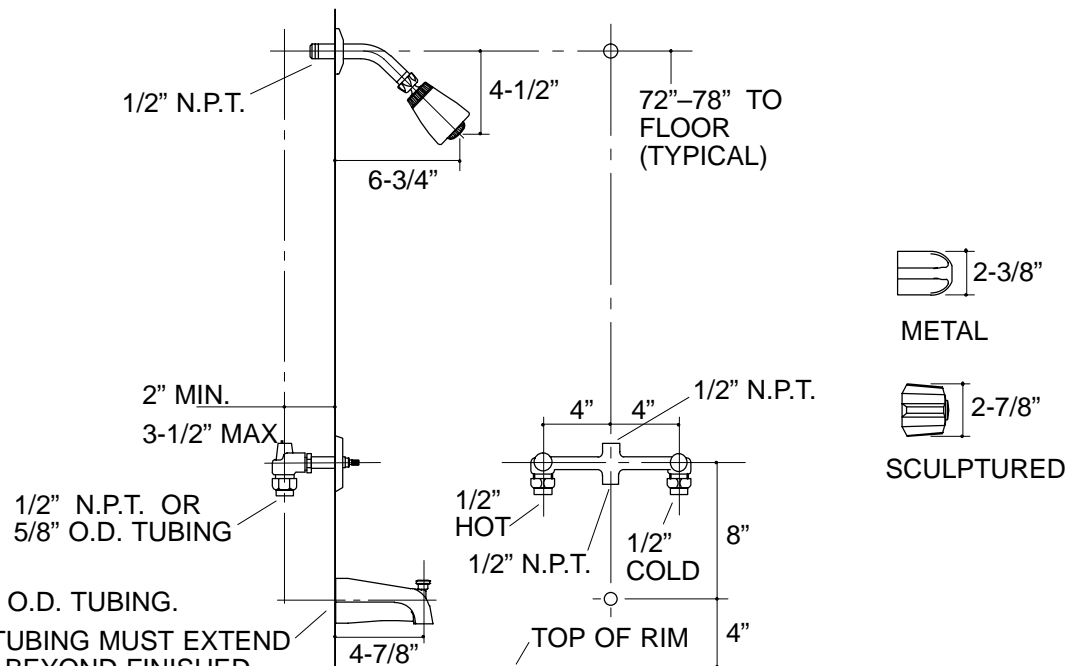


## Ordering Information

Bath and shower with metal handles:	
N.P.T. spout, N.P.T. unions	K-11608-U
N.P.T. spout, direct sweat unions	K-11608-UC
Slip-fit spout, direct sweat inlets	K-11608-UD
Slip-fit spout, direct sweat unions	K-11608-UE
Slip-fit spout, N.P.T. unions	K-11608-US
Bath and shower with sculptured acrylic handles:	
N.P.T. spout, N.P.T. unions	K-11608-P
N.P.T. spout, direct sweat unions	K-11608-PC
Slip-fit spout, direct sweat inlets	K-11608-PD
Slip-fit spout, direct sweat unions	K-11608-PE
Slip-fit spout, N.P.T. unions	K-11608-PS



1/2" N.P.T. PIPE OR 5/8" O.D. TUBING.  
FOR SLIP-FIT SPOUT, TUBING MUST EXTEND  
1-1/2" MIN.; 2-7/8" MAX. BEYOND FINISHED  
WALL.

FOR N.P.T. SPOUT, PIPE MUST EXTEND 3-7/8"  
BEYOND FINISHED WALL.