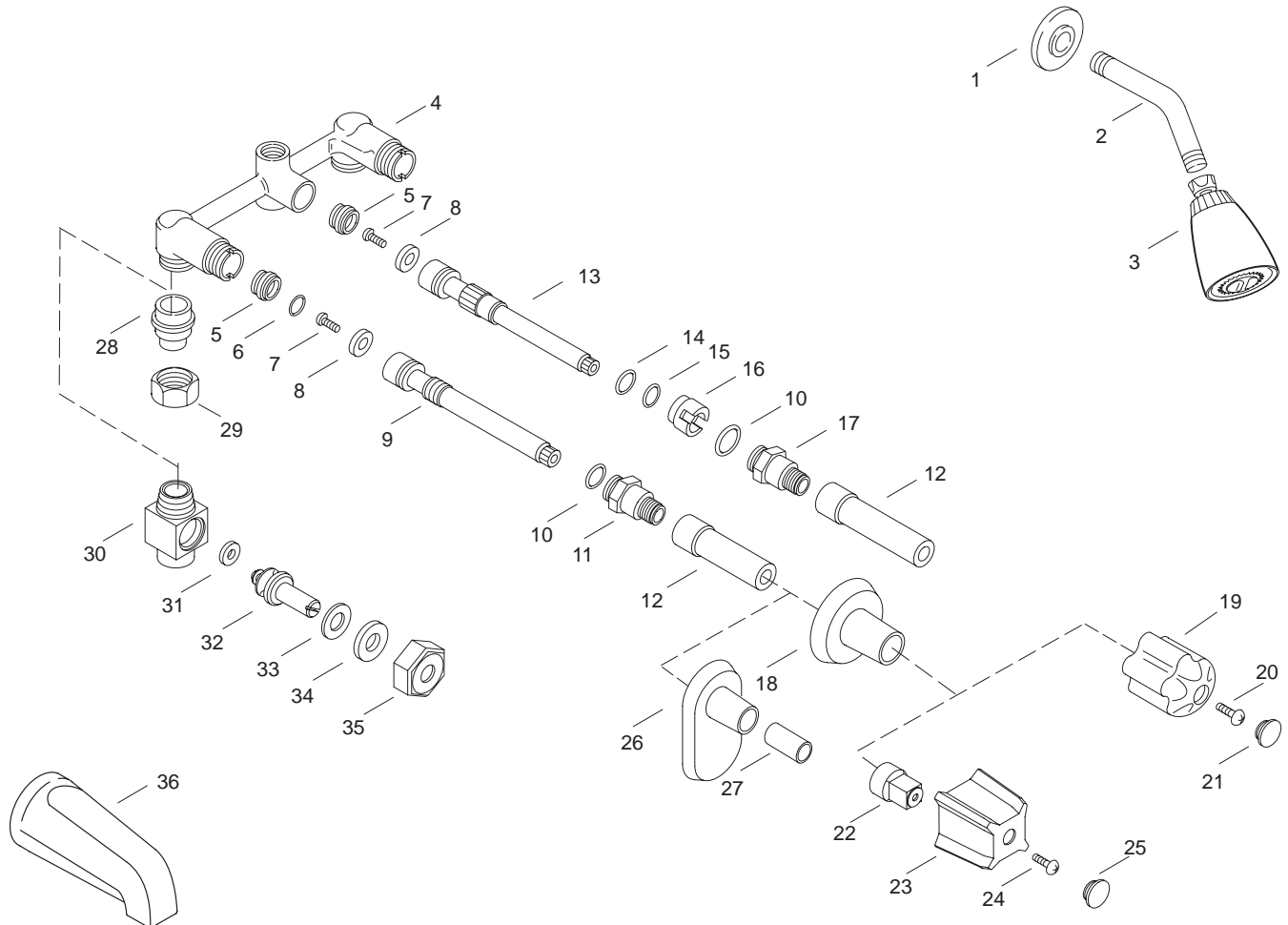


# KOHLER® SERVICE PARTS

## TREND® THREE HANDLE BATH AND SHOWER FAUCETS

| K#               | IPS Spout | Slip-Fit Spout | Metal Handles | Acrylic Handles | Screw Stops |
|------------------|-----------|----------------|---------------|-----------------|-------------|
| K-11618-U-**-AA  | X         |                | X             |                 |             |
| K-11618-UC-**-AA | X         |                | X             |                 |             |
| K-11618-US-**-AA |           | X              | X             |                 |             |
| K-11618-UE-**-AA |           | X              | X             |                 |             |
| K-11608-UD-**-AA |           | X              | X             |                 |             |
| K-11618-P-**-A B | X         |                |               | X               |             |
| K-11618-PC-**-AB | X         |                |               | X               |             |
| K-11618-PS-**-AB |           | X              |               | X               |             |
| K-11618-PE-**-AB |           | X              |               | X               |             |
| K-11618-PD-**-AB |           | X              |               | X               |             |
| K-11622-U-**-AA  | X         |                | X             |                 | X           |
| K-11622-UC-**-AA | X         |                | X             |                 | X           |
| K-11622-UE-**-AA |           | X              | X             |                 | X           |
| K-11622-US-**-AA |           | X              | X             |                 | X           |



\*\* Variation and/or finish/color code may be required when ordering.

### SERVICE PARTS

| ITEM | PART NO. | DESCRIPTION                  |
|------|----------|------------------------------|
| 1    | 20429**  | Flange, Shower Arm           |
| 2    | 51410**  | Shower Arm                   |
| 3    | 70413**  | Economy Shower Head          |
| 4    | 40284    | Body, 3 Valve                |
| 5    | 20774**  | Renewable Seat               |
| 6    | 20960    | O-Ring                       |
| 7    | 31490    | Screw, .164-32 UNC-2A x .390 |
| 8    | 20961    | Washer, .185 x .505          |
| 9    | 20896    | Valve Stem, R. H.            |
| 10   | 34353    | O-Ring                       |
| 11   | 20899    | Bonnet, R. H.                |
| 12   | 21073    | Sleeve                       |
| 13   | 40281    | Stem, Diverter               |
| 14   | 71939    | O-Ring                       |
| 15   | 42045    | O-Ring                       |
| 16   | 40282    | Bushing, Diverter            |
| 17   | 40280    | Bonnet, Sterling             |
| 18   | 21086**  | Escutcheon                   |
| 19   | 57746**  | Handle, Metal                |
| 20   | 40230    | Screw, .164-32 UNC-2A x .500 |
| 21   | 57743    | Plug Button (Red)            |
|      | 57744    | Plug Button (Blue)           |
|      | 57755    | Plug Button (Grey)           |
| 22   | 21079-BC | Spline Adapter               |
| 23   | 21094    | Handle, Acrylic              |
| 24   | 21102    | Screw, .164-32 UNC-2A x .500 |
| 25   | 21082-H  | Plug Button (Red)            |
|      | 21082-C  | Plug Button (Blue)           |
|      | 21080    | Plug Button (Grey)           |
| 26   | 21098**  | Escutcheon                   |
| 27   | 21097    | Bushing                      |
| 28   | 24015    | Union Joint                  |
| 29   | 24003**  | Nut, 1 1/4-14 NS Threaded    |
| 30   | 40294    | Valve Body, Stop             |
| 31   | 40290    | Seat Washer                  |
| 32   | 40287    | Stem                         |
| 33   | 40291    | Washer                       |
| 34   | 40288    | Packing                      |
| 35   | 40289    | Pack Nut                     |
| 36   | 73667**  | Spout, IPS Bath              |
|      | 73669**  | Spout, Slip Bath             |

### SERVICE KITS

| PART NO. | ITEM | QTY.  | DESCRIPTION                  |
|----------|------|-------|------------------------------|
| 30119    |      |       | Stem & Seat Assembly         |
|          | 5    | 1 ea. | Renewable Seat               |
|          | 6    | 1 ea. | O-Ring                       |
|          | 7    | 1 ea. | Screw, .164-32 UNC-2A x .390 |
|          | 8    | 1 ea. | Washer, .185 x .505          |
|          | 9    | 1 ea. | Valve Stem, R.H.             |
|          | 10   | 1 ea. | O-Ring                       |
|          | 11   | 1 ea. | Bonnet, R.H.                 |
|          | 12   | 1 ea. | Sleeve                       |
| 21076    |      |       | Stem Assembly                |
|          | 6    | 1 ea. | O-Ring                       |
|          | 7    | 1 ea. | Screw, .164-32 UNC-2A x .390 |
|          | 8    | 1 ea. | Washer, .185 x .505          |
|          | 9    | 1 ea. | Valve Stem, R. H.            |
|          | 11   | 1 ea. | Bonnet, R. H.                |
| 20901    |      |       | Valve Stem, R. H. Assembly   |
|          | 7    | 1 ea. | Screw, .164-32 UNC-2A x .390 |
|          | 8    | 1 ea. | Washer, .185 x .505          |
|          | 9    | 1 ea. | Valve Stem, R. H.            |
| 20386**  |      |       | Handle Assembly              |
|          | 22   | 1 ea. | Spline Adapter               |
|          | 23   | 1 ea. | Handle Bath                  |
| 40293    |      |       | Stop Integral                |
|          | 30   | 1 ea. | Valve Body, Stop             |
|          | 31   | 1 ea. | Seat Washer                  |
|          | 32   | 1 ea. | Stem                         |
|          | 33   | 1 ea. | Washer                       |
|          | 34   | 1 ea. | Packing                      |
|          | 35   | 1 ea. | Pack Nut                     |

\*\* Variation and/or finish/color code may be required when ordering.