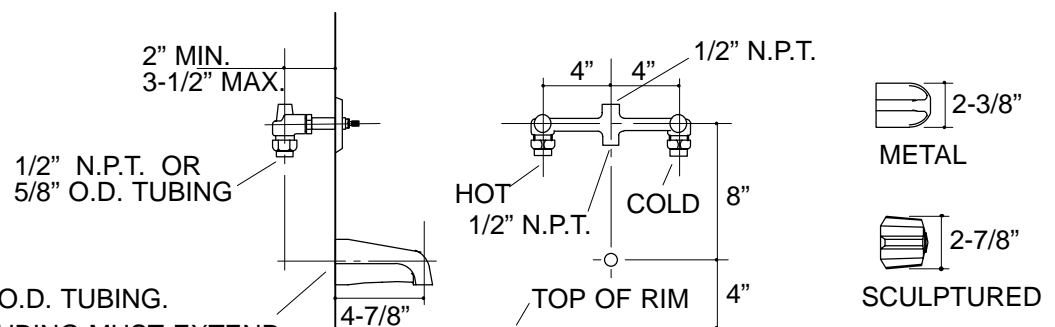


Ordering Information

Shower with sculptured acrylic handles:	
Bath with metal handles:	
N.P.T. spout, N.P.T. unions	K-11638-U
N.P.T. spout, direct sweat unions	K-11638-UC
Slip-fit spout, direct sweat inlets	K-11638-UD
Slip-fit spout, direct sweat unions	K-11638-UE
Slip-fit spout, N.P.T. unions	K-11638-US
Bath with sculptured acrylic handles:	
N.P.T. spout, N.P.T. unions	K-11638-P
N.P.T. spout, direct sweat unions	K-11638-PC
Slip-fit spout, direct sweat inlets	K-11638-PD
Slip-fit spout, direct sweat unions	K-11638-PE
Slip-fit spout, N.P.T. unions	K-11638-PS



1/2" N.P.T. PIPE OR 5/8" O.D. TUBING.
FOR SLIP-FIT SPOUT, TUBING MUST EXTEND
1-1/2" MIN.; 2-7/8" MAX. BEYOND FINISHED
WALL.

FOR N.P.T. SPOUT, PIPE MUST EXTEND 3-7/8"
BEYOND FINISHED WALL.