

### NEO-ANGLE SHOWER MODULE

# K-1519

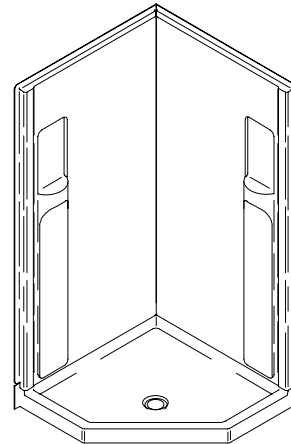
#### FEATURES

- 39-1/4" x 39-1/4" x 77-1/8"
- Fiberglass (FRP)
- Resin-Transfer Molded (RTM) construction
- Integral RTM bottom support
- Smooth reverse-side surfaces
- 2 integral ledges
- Three-piece design for remodeling installations

#### CODES/STANDARDS APPLICABLE

Specified model meets or exceeds the following:

- ANSI Z124.2
- State of Massachusetts



#### COLORS/FINISHES

- 0 White
- Other Refer to Fixtures Price Book for additional colors

#### Accessories:

- CP Polished Chrome
- PB Polished Brass
- SV Nevada Silver™
- BR New England Brass™
- Other Refer to Faucets Price Book for additional finishes

#### SPECIFIED MODEL:

| Model  | Description             | Colors/Finishes                  |                                     |
|--------|-------------------------|----------------------------------|-------------------------------------|
| K-1519 | Neo-angle shower module | <input type="checkbox"/> 0 White | <input type="checkbox"/> Other_____ |

| Recommended Accessories |       |                             |   |
|-------------------------|-------|-----------------------------|---|
| K-9132                  | Drain | <input type="checkbox"/> CP | <input type="checkbox"/> PB <input type="checkbox"/> Other_____ |

| Optional Accessories |   |                             |                             |
|----------------------|---|-----------------------------|-----------------------------|
| K-9716               | Glassworks™ neo-angle shower enclosure* | <input type="checkbox"/> SV | <input type="checkbox"/> BR |

\* Refer to Fixtures Price Book for glass options.

#### PRODUCT SPECIFICATION:

The three-piece shower module shall be 39-1/4" in length, 39-1/4" in width, and 77-1/8" in height. Shower module shall be made of fiberglass (FRP). Shower module shall have Resin-Transfer Molded (RTM) construction. Shower module shall have integral RTM bottom support. Shower module shall have smooth reverse-side surfaces. Shower module shall have 2 integral ledges. Shower module shall be Kohler Model K-1519-\_\_\_\_\_.

# CAPE COD™ II

## PRODUCT INFORMATION

|               |           |
|---------------|-----------|
| Fixture:      |           |
| Weight        | 79 lbs.   |
| Configuration | 3-piece   |
| Drain Outlet  | 3-3/8" D. |

## INSTALLATION NOTES

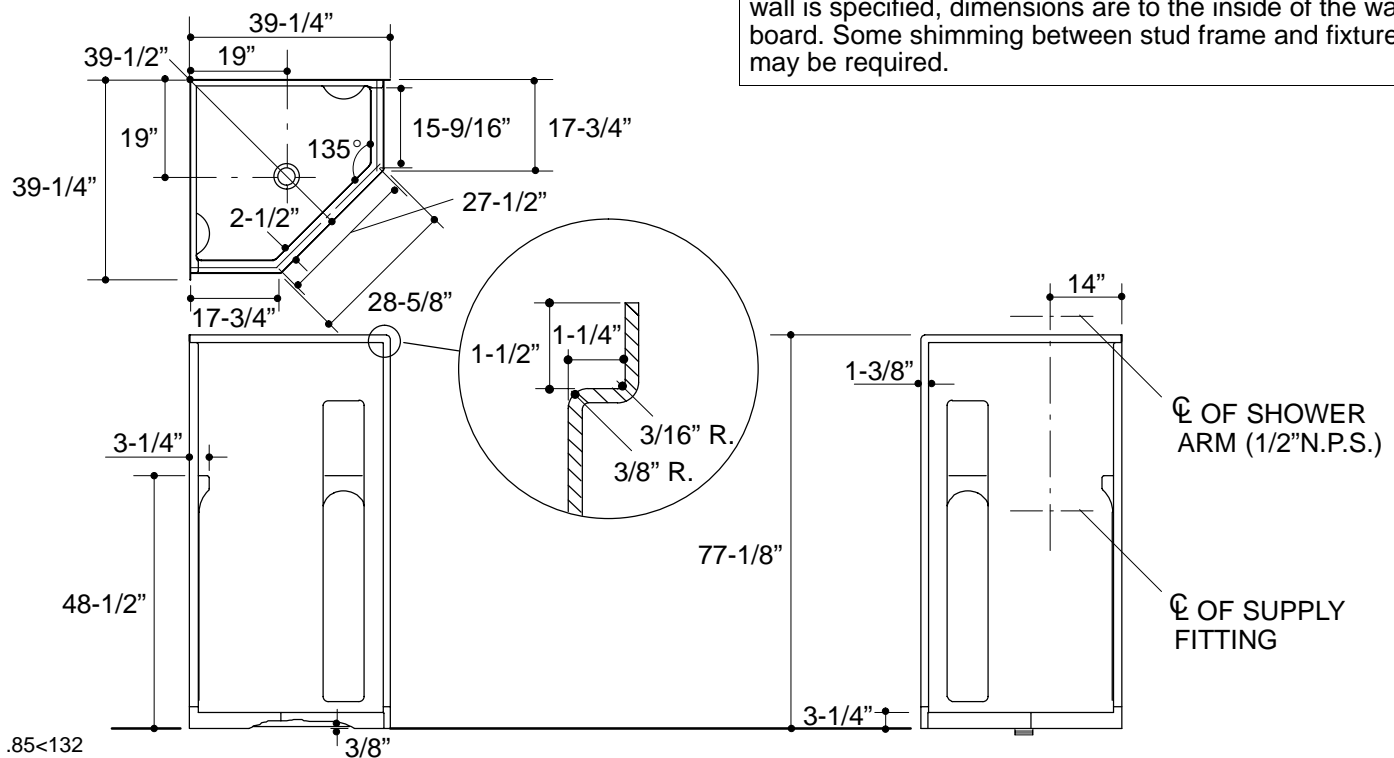
Fixture not drilled for supply fittings.

Shimming may be required to level fixture.

Mastershower K-74 and K-75 not recommended.

### Roughing-In Notes

Stud opening tolerance (+ 1/4" – 0"). When fire rated wall is specified, dimensions are to the inside of the wall board. Some shimming between stud frame and fixture may be required.



## PRODUCT DIAGRAM