

**BATH AND SHOWER FAUCET TRIM
K-T6470-4B**

ALSO K-T6430-4B, K-305

ADA

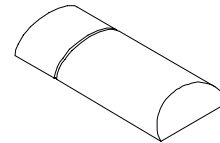
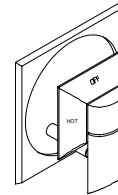
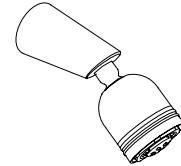
FEATURES

- Brass construction
- Three-way showerhead with arm
- Multi-piece faceplate
- Integral push-button diverter
- Lever handle

CODES/STANDARDS APPLICABLE

Specified model meets or exceeds the following:

- ASME/ANSI A112.18.1M
- ASSE/ANSI 1016
- IAPMO/UPC (K-T6430-4B)

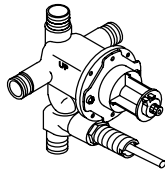
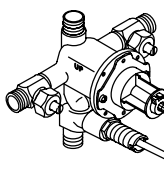
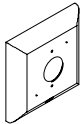


COLORS/FINISHES

- CP Polished Chrome
- PB Polished Brass

SPECIFIED MODEL: For complete faucet, both faucet trim and Rite-Temp valve must be specified.

Model	Description		
K-T6470-4B	Bath and Shower Faucet Trim	<input type="checkbox"/> CP	<input type="checkbox"/> PB
K-T6430-4B	Valve Only Faucet Trim	<input type="checkbox"/> CP	<input type="checkbox"/> PB

Required Accessories				
K-305-K	Rite-Temp Valve Without Stops	<input type="checkbox"/> NA		
K-305-KS	Rite-Temp Valve With Stops		<input type="checkbox"/> NA	
K-17207	Decorative Insert, Single			<input type="checkbox"/> CP <input type="checkbox"/> PB <input type="checkbox"/> Other_____

PRODUCT SPECIFICATION:

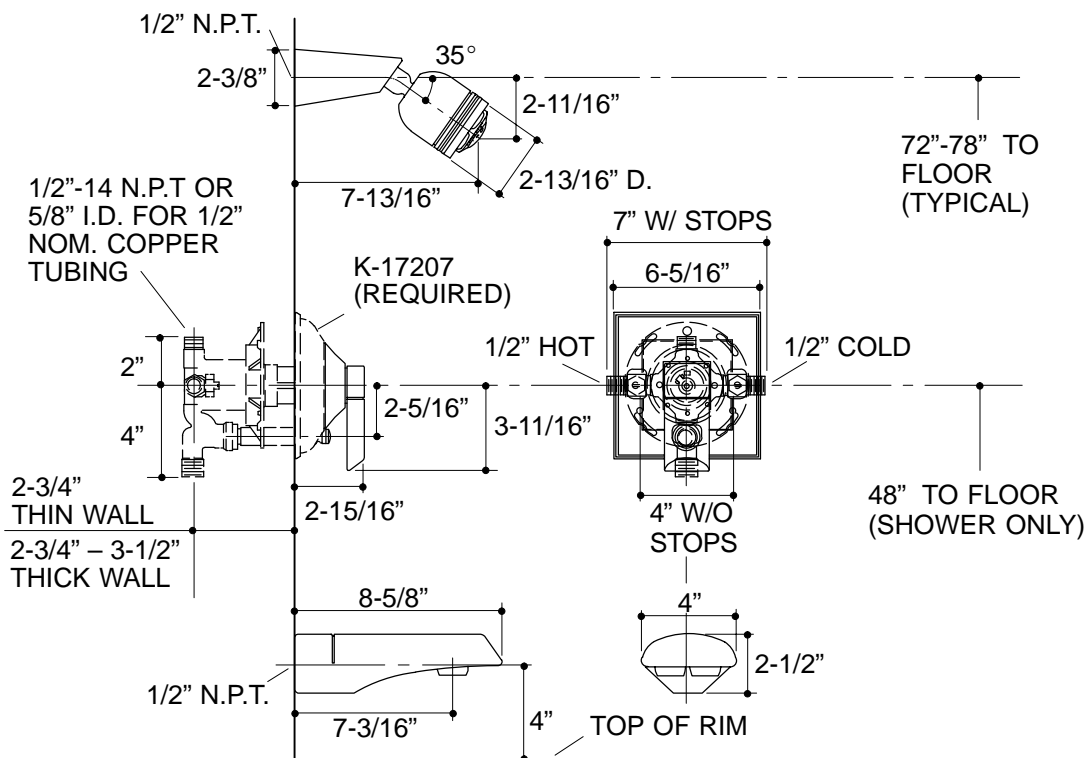
Rite-Temp pressure-balancing single-control bath and shower faucet trim shall be of brass construction. Bath and shower trim shall include three-way showerhead with arm, faceplate with lever handle, and 4-7/8" diverter spout with N.P.T. connection. Valve only trim shall include faceplate with handle. Faucet trim shall be K-T_____4B-_____ with K-17207-_____ insert. Rite-Temp valve shall be K-305-_____NA.

INSTALLATION NOTES

Avoid cross-flow conditions. Do not install shut-off device on either valve outlet.

Cap shower outlet if deck-mount spout, diverter, or handshower is connected to spout outlet.

Install straight pipe or tube drop of 7 to 18" with single elbow between valve and wall-mount spout.



PRODUCT DIAGRAM