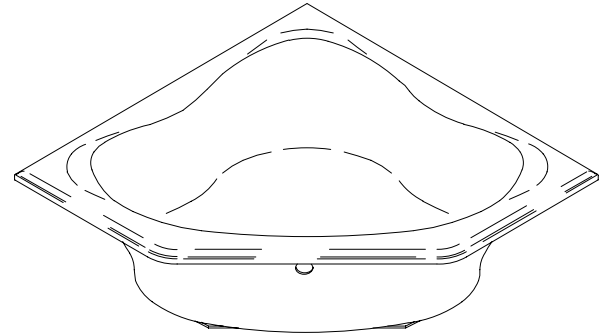


### FEATURES

- 60" x 60" x 21"
- Acrylic
- Drop-in rim style or integral flange
- For corner installation
- Optional K-1243 front apron



### CODES/STANDARDS APPLICABLE

Specified model meets or exceeds the following:

- ANSI Z124.1
- IAPMO/UPC
- Canadian Standards Association (CSA)
- State of Massachusetts

### COLORS/FINISHES

- 0 White
- Other Refer to Fixtures Price Book for additional colors

#### Accessories:

- CP Polished Chrome
- PB Polished Brass
- Other Refer to Faucets Price Book for additional finishes
- NA None Applicable

### SPECIFIED MODEL:

Model	Description	Colors/Finishes	
K-1245	Drop-in rim style	<input type="checkbox"/> 0 White	<input type="checkbox"/> Other_____
K-1245-F	Integral flange	<input type="checkbox"/> 0 White	<input type="checkbox"/> Other_____

Recommended Accessories				
K-7161-AF	Drain	<input type="checkbox"/> CP	<input type="checkbox"/> PB	<input type="checkbox"/> Other_____

Optional Accessories			
K-1243	Apron (removable)	<input type="checkbox"/> 0 White	<input type="checkbox"/> Other_____
K-1179	Vinyl tiling-in bead (use when wall material contacts any top surface of bath)	<input type="checkbox"/> NA	

### PRODUCT SPECIFICATION:

The bath shall be 60" in length, 60" in width, and 21" in height. Bath shall be made of acrylic. Bath shall be either drop-in rim style or integral flange. Bath shall be for corner installation. Bath shall have optional K-1243 front apron. Bath shall be Kohler Model K-1245-\_\_\_\_\_.

# SOJOURN™

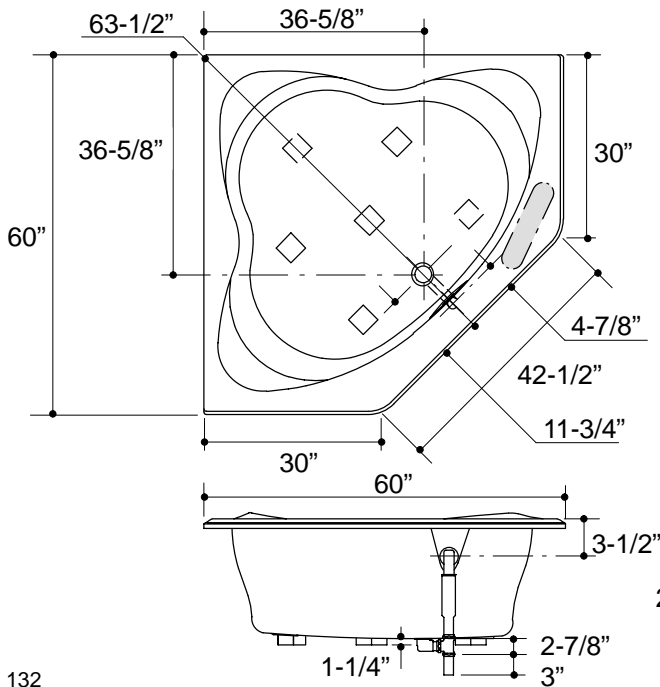
## PRODUCT INFORMATION

Fixture*:	basin area	top area	weight
Bathing well	50" x 42"	60" x 46"	91 lbs.
	water depth	capacity	
To overflow	14-1/2"	102 gal.	
* Approximate measurements for comparison only.			
Included Components:			
Cutout template		113925-7	

## INSTALLATION NOTES

If installing a rim-mount faucet, make sure there is no interference with drain overflow before drilling any holes. Consult local and national codes for minimum air gap requirements if installing a spout on the faucet deck.

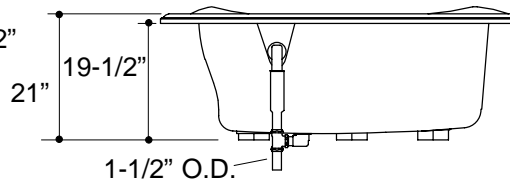
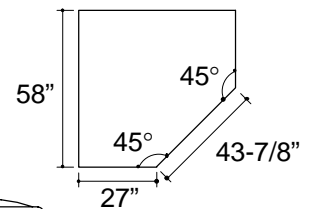
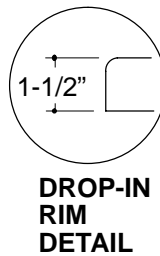
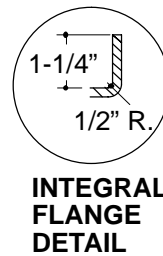
The apron must be installed before the finish floor and wall materials are installed.



### Roughing-In Notes

No change in measurements if connected with drain illustrated.

Faucet area		recommended
-------------	--	-------------



132

## PRODUCT DIAGRAM