

Ordering Information

Applicable product:		
Drop-in rim style	K-1245	shown
Integral flange	K-1245-F	not shown
Accessories/hardware:		
Drain	K-7161-AF	recommended
Apron	K-1243	optional
Vinyl tiling-in bead*	K-1179	optional
*Use K-1179 vinyl bead when wall material contacts any top surface of bath.		

Product Information

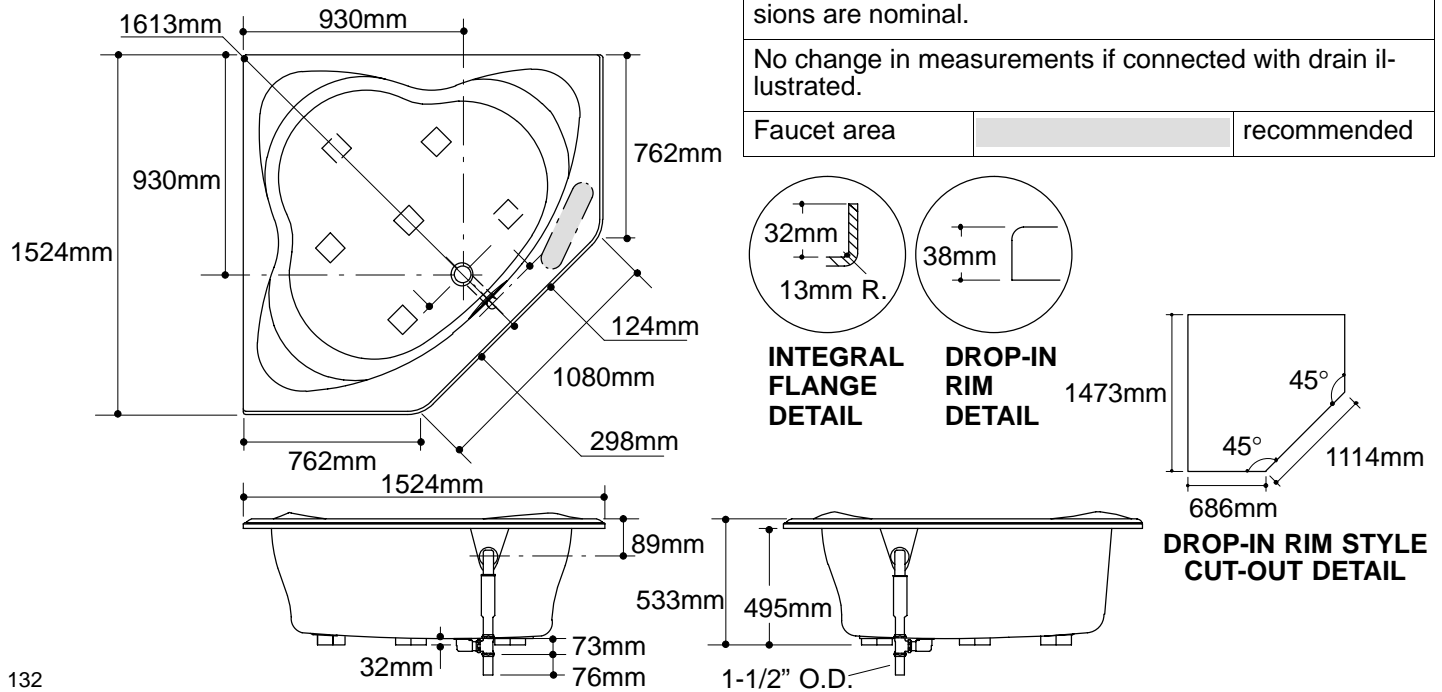
Fixture*:	basin area	top area	weight
Bathing well	1270 x 1067mm	1524 x 1168mm	41 Kg.
	water depth	capacity	
To overflow	368mm	386 litres	
* Approximate measurements for comparison only.			
Included Components:			
Cutout template	113925-7		

Installation Notes

Refer to installation instructions included with fixture before beginning installation.

If installing a rim-mount faucet, make sure there is no interference with drain overflow before drilling any holes. Consult local and national codes for minimum air gap requirements if installing a spout on the faucet deck.

The apron must be installed before the finish floor and wall materials are installed.



132