

### Ordering Information

Accessories/hardware:		
Drain	K-7161-AF	recommended

### Product Information

Fixture*:	basin area	top area	weight
Bathing well	50" x 31"	61" x 34"	85 lbs.
	water depth	capacity	
To overflow	14-1/2"	86 gal.	
* Approximate measurements for comparison only.			

### Installation Notes

Refer to installation instructions included with fixture before beginning installation.

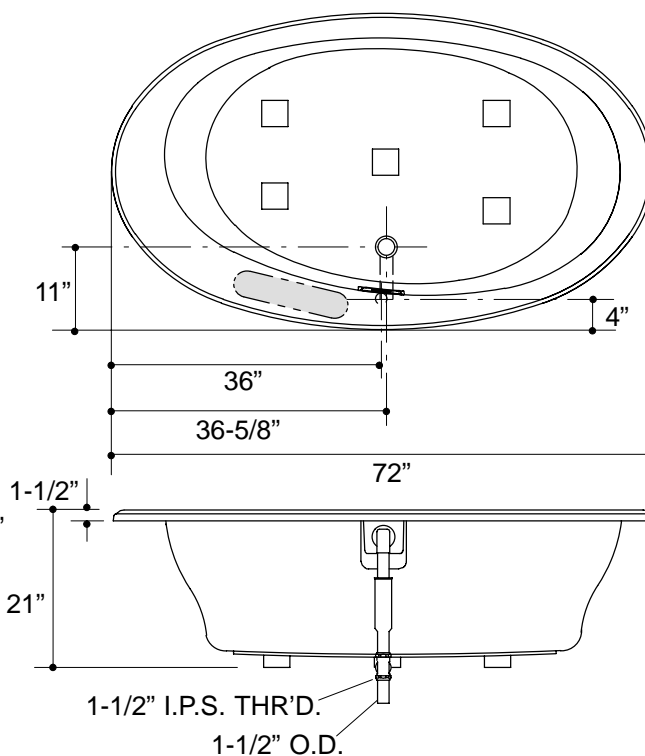
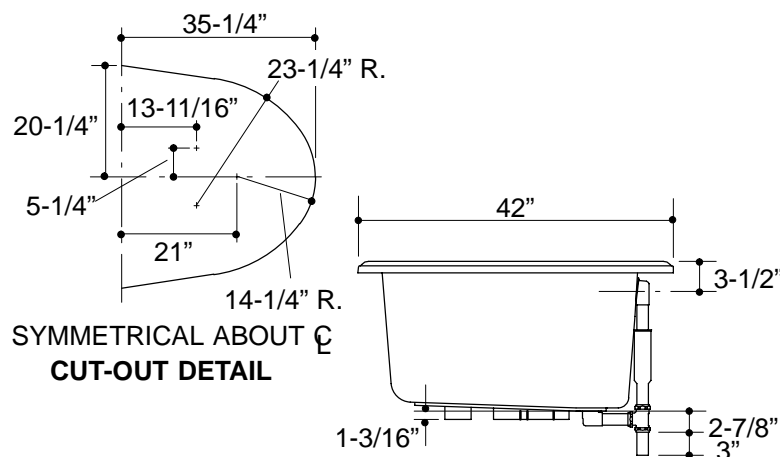
If installing a rim-mount faucet, make sure there is no interference with drain overflow before drilling any holes. Consult local and national codes for minimum air gap requirements if installing a spout on the faucet deck.

#### Roughing-In Notes

Fixture dimensions are nominal and conform to tolerances in ANSI Standard Z124.1.

No change in measurements if connected with drain illustrated.

Faucet area		recommended
-------------	--	-------------



1.25>132