

Ordering Information

Accessories/hardware:		
Drain	K-7161-AF	recommended

Product Information

Fixture*:	basin area	top area	weight
Bathing well	1270 x 787mm	1549 x 864mm	39 Kg.
	water depth	capacity	
To overflow	368mm	326 litres	
* Approximate measurements for comparison only.			
Included Components:			
Cutout template	113927-7		

Installation Notes

Refer to installation instructions included with fixture before beginning installation.

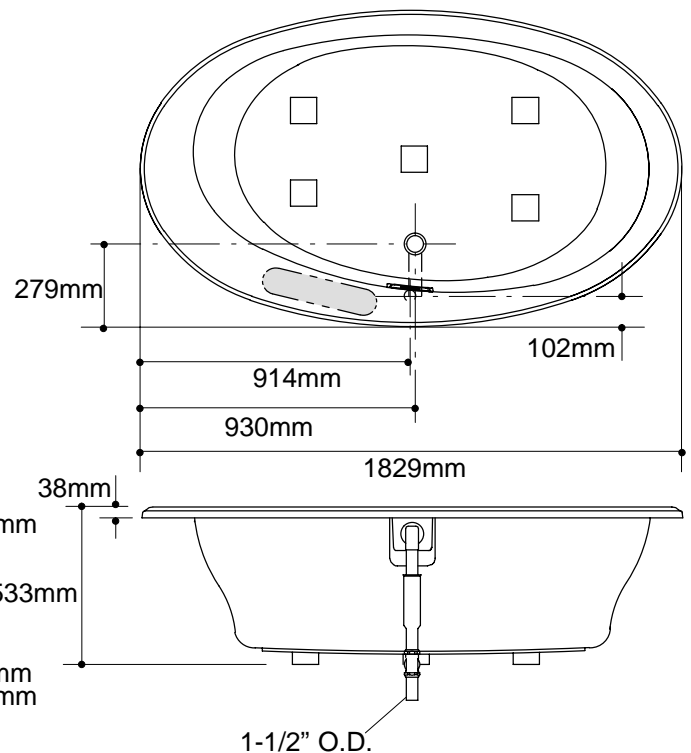
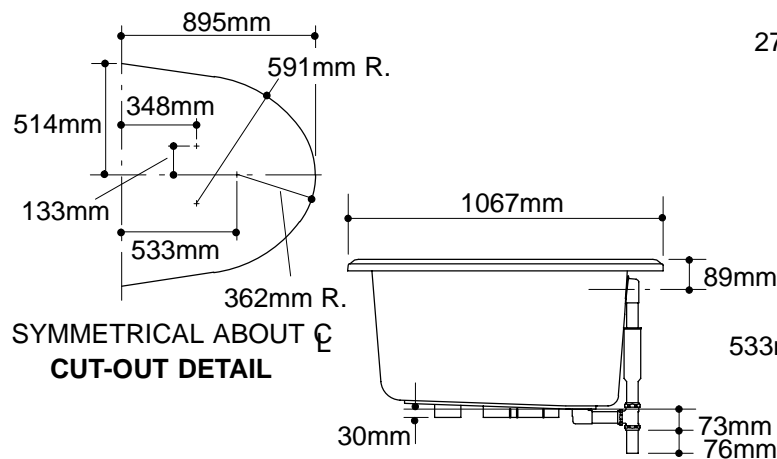
If installing a rim-mount faucet, make sure there is no interference with drain overflow before drilling any holes. Consult local and national codes for minimum air gap requirements if installing a spout on the faucet deck.

Roughing-In Notes

Fixture dimensions are nominal and conform to tolerances in ANSI Standard Z124.1.

No change in measurements if connected with drain illustrated.

Faucet area recommended



1.25>132

K-1249 Seaside Bath
113800-1M-AA (9631)

KOHLER®