

Ordering Information

Accessories/hardware:		
Drain	K-7161-AF	recommended

Product Information

Fixture*:	basin area	top area	weight
Bathing well	44" x 31"	50" x 34"	83 lbs.
	water depth	capacity	
To overflow	15"	69 gal.	

* Approximate measurements for comparison only.

Included Components:	
Cutout template	113926-7

Installation Notes

Refer to installation instructions included with fixture before beginning installation.

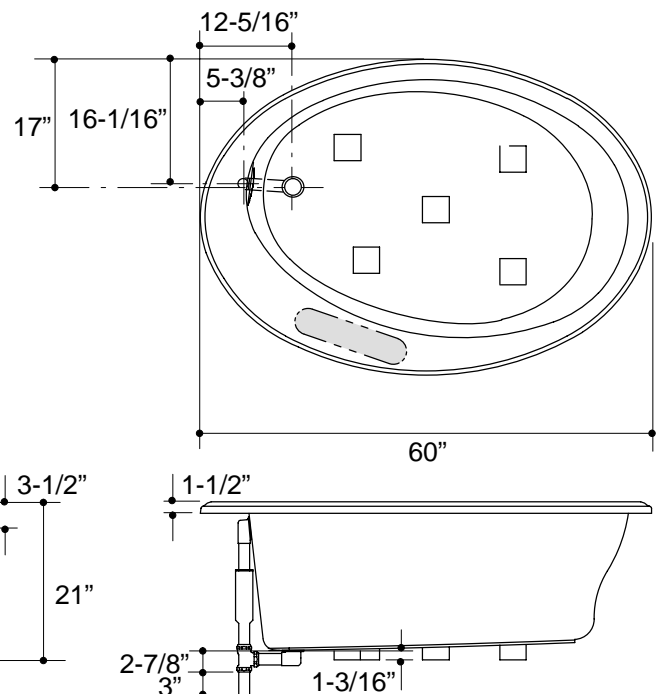
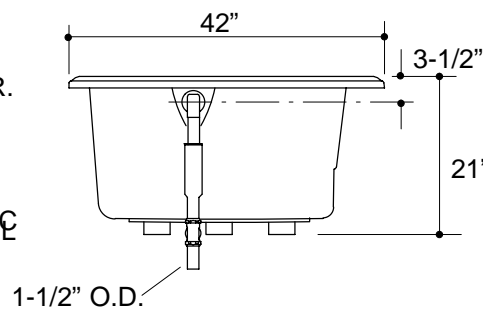
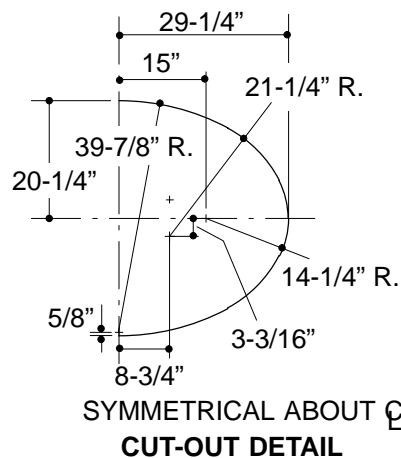
If installing a rim-mount faucet, make sure there is no interference with drain overflow before drilling any holes. Consult local and national codes for minimum air gap requirements if installing a spout on the faucet deck.

Roughing-In Notes

Fixture conforms to ANSI Standard Z124.1. All dimensions are nominal.

No change in measurements if connected with drain illustrated.

Faucet area		recommended
-------------	--	-------------



1.25>132

K-1247 Seaside Bath
113801-1-AA (B)

KOHLER[®]