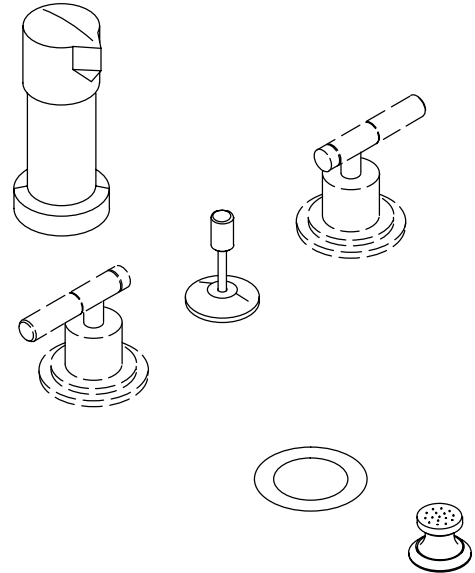


FEATURES

- Brass construction
- Flexible connections
- Brass valve bodies
- Quarter-turn washerless ceramic disc valves
- Pop-up drain with lift rod and tailpiece
- Variety of handle style options
- Vertical spray
- Fixture-mount transfer valve/vacuum breaker



CODES/STANDARDS APPLICABLE





Specified model meets or exceeds the following:

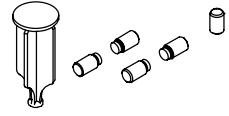
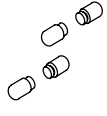
- ASME/ANSI A112.18.1M
- CSA B125
- IAPMO/UPC
- Listed in the State of Michigan

COLORS/FINISHES

- CP Polished Chrome
- PB Polished Brass
- Other Refer to Faucets Price Book for additional finishes

SPECIFIED MODEL:

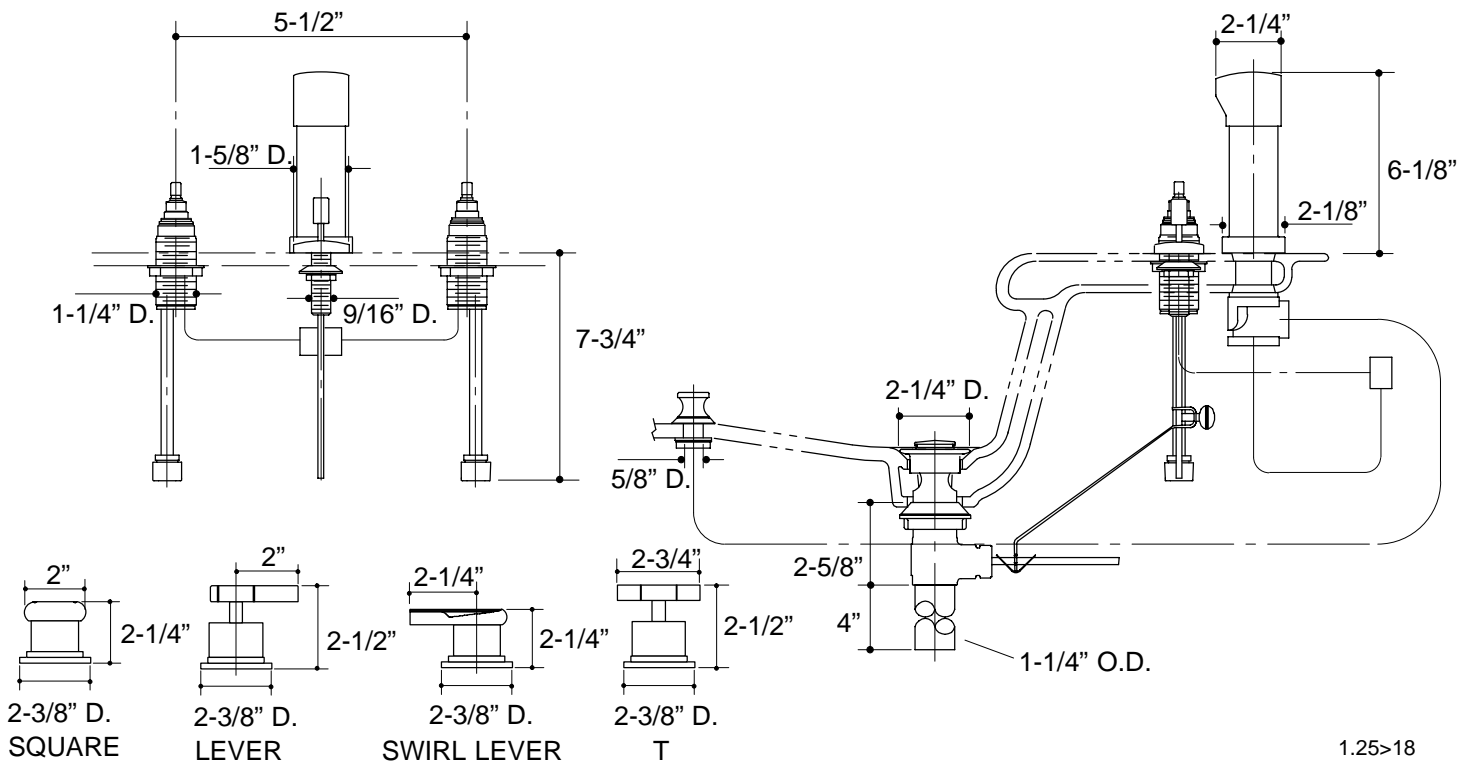
Model	Description			ADA		ADA		ADA
K-8247-2	Square Handles	<input type="checkbox"/> CP <input type="checkbox"/> PB						
K-8247-4	Lever Handles		<input type="checkbox"/> CP <input type="checkbox"/> PB <input type="checkbox"/> Other_____					
K-8247-4A	Swirl Lever Handles				<input type="checkbox"/> CP <input type="checkbox"/> PB			
K-8247-6	T-Handles						<input type="checkbox"/> CP <input type="checkbox"/> PB <input type="checkbox"/> Other_____	

Optional Accessories			
K-16200	Accent Kit: Lift Knob, Drain Plug, and Four T-Handle Endpieces	<input type="checkbox"/> CP <input type="checkbox"/> PB <input type="checkbox"/> Other_____	
K-16201	Accent Kit: Four T-Handle Endpieces		<input type="checkbox"/> CP <input type="checkbox"/> PB <input type="checkbox"/> Other_____

PRODUCT SPECIFICATION:

Two-handle fixture-mount bidet faucet shall be of brass construction. Faucet shall feature brass valve bodies. Faucet shall feature quarter-turn washerless ceramic disc valves, assuring positive handle stop positioning. Product shall include flexible connections, pop-up drain with lift rod and tailpiece, handles, vertical spray, and fixture-mount valve/vacuum breaker. Faucet shall be Kohler Model K-8247-_____-_____.

TABORET®



1.25>18

PRODUCT DIAGRAM