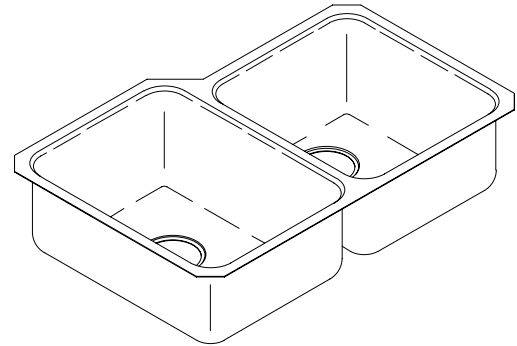


FEATURES

- 29-1/4" x 18-5/8"
- 18 gauge stainless steel
- Undercounter
- Double (large/medium) compartment
- Squared bowls
- Includes installation hardware



CODES/STANDARDS APPLICABLE

Specified model meets or exceeds the following:

- IAPMO/UPC
- State of Massachusetts

COLORS/FINISHES

- NA None Applicable

Accessories:

- CP Polished Chrome
- 0 White
- Other Refer to Price Book for additional colors

SPECIFIED MODEL:

Model	Description	Colors/Finishes	
K-3353	Undercounter sink	<input type="checkbox"/> NA	
Optional Accessories			
K-3190	Bottom basin rack (for right basin only)	<input type="checkbox"/> 0 White	<input type="checkbox"/> Other_____
K-3277	Wire basket (for either basin)	<input type="checkbox"/> 0 White	<input type="checkbox"/> Other_____
K-3294	Hardwood cutting board (for either basin)	<input type="checkbox"/> NA	
K-8801	Duostrainer sink strainer	<input type="checkbox"/> CP	<input type="checkbox"/> Other_____

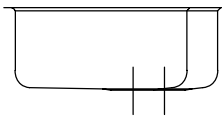
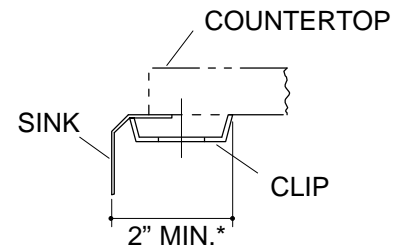
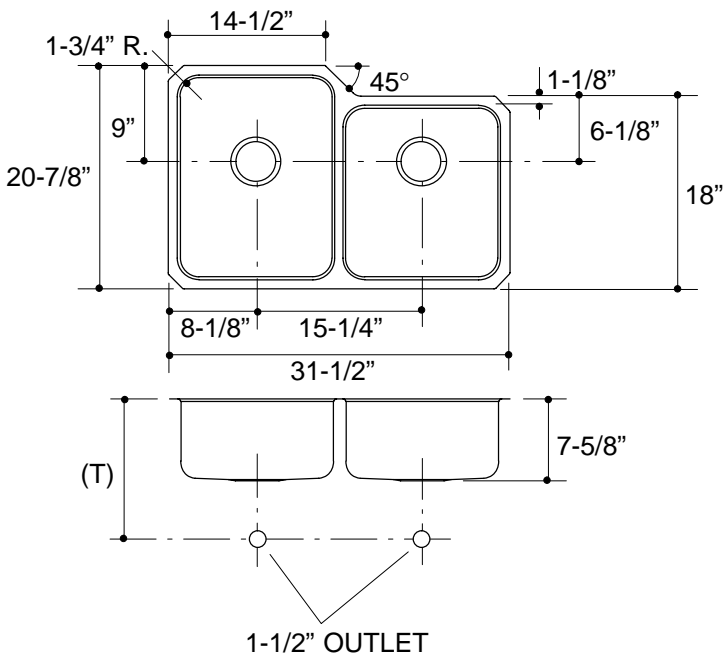
PRODUCT SPECIFICATION:

The undercounter sink shall be 29-1/4" in length, and 18-5/8" in width. Sink shall be made of 18 gauge stainless steel. Sink shall be double (large /medium) compartment with squared bowls. Sink shall include installation hardware. Sink shall be Kohler Model K-3353-_____.

UNDERTONE™

PRODUCT INFORMATION

Fixture*:		basin area	water depth
Sink, left		14" x 19"	7-1/2"
Sink, right		14" x 16"	7-1/2"
Outlet	3-5/8" D.		
* Approximate measurements for comparison only.			
Included Components:			
Hardware kit		91915	
Cutout template		113807	



Roughing-In Notes

(T) Drain typically 13".

* Allow clearance around sink rim for clip attachment.

.90<116

PRODUCT DIAGRAM