

Ordering Information

Applicable product:		
Three-hole sink	K-6536-3	shown
Four-hole sink	K-6536-4	not shown
Accessories/hardware:		
Cutting board	K-6537	optional
Colander	K-6538	optional
Drain board with wire dish rack	K-6539	optional
Shroud	K-6543	optional
P-trap	K-9000	recommended

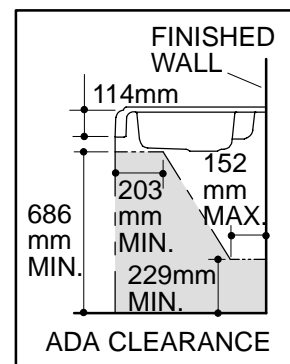
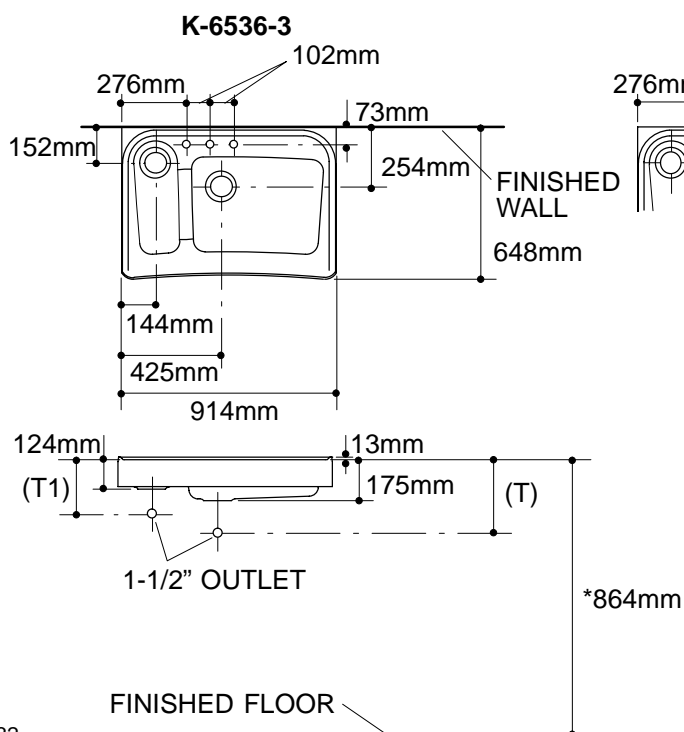
Product Information

ADA compliant.			
Fixture*:		basin area	water depth
Sink, small		178 x 483mm	95mm
Sink, large		533 x 406mm	146mm
Outlet	Ø92mm		
Faucet holes	Ø35mm		
* Approximate measurements for comparison only.			

Installation Notes

Refer to installation instructions included with fixture before beginning installation.

Selected garbage disposal MUST NOT interfere with clear floor space.



Roughing-In Notes

Fixture dimensions are nominal and conform to tolerances in ASME/ANSI Standard A112.19.1M.

Provide clear floor space per ANSI A117.1 as shown. These also comply with ADA requirements.

(T) Drain typically 311mm.

(T1) Drain typically 260mm.

*Complies with ADA requirement when rim is no higher than 864mm from finished floor.