

### Required Electrical Service

Dedicated circuit required, protected with Class A Ground-Fault Circuit-Interrupter (GFCI):	
Rating	120 V., 60 Hz, 60 watts
Service rating	120 V., 15 A, 60 Hz

### Product Information

Minimum static water pressure	40 p.s.i.
-------------------------------	-----------

**⚠ CAUTION** Kohler recommends the use of a water softener if this product is being installed in a location with hard water. Make sure all water lines are purged prior to final hook-up to the MasterShower water inlets. When installing MasterShower in areas with sand or other sediment in water lines, the following Ametek, or equivalent, filters are recommended:

Cold Water = PSS1 or PSCL1, 3/4" I.P.S. inlet filter.

Hot Water = PSH WC 25S, 3/4" I.P.S. inlet filter.

### Installation Notes

Refer to installation instructions included with fitting before beginning installation.

Installation with fiberglass or acrylic shower enclosures may not provide adequate clearance for MasterShower tower mounting. The MasterShower tower requires a flat mounting surface for its entire height.

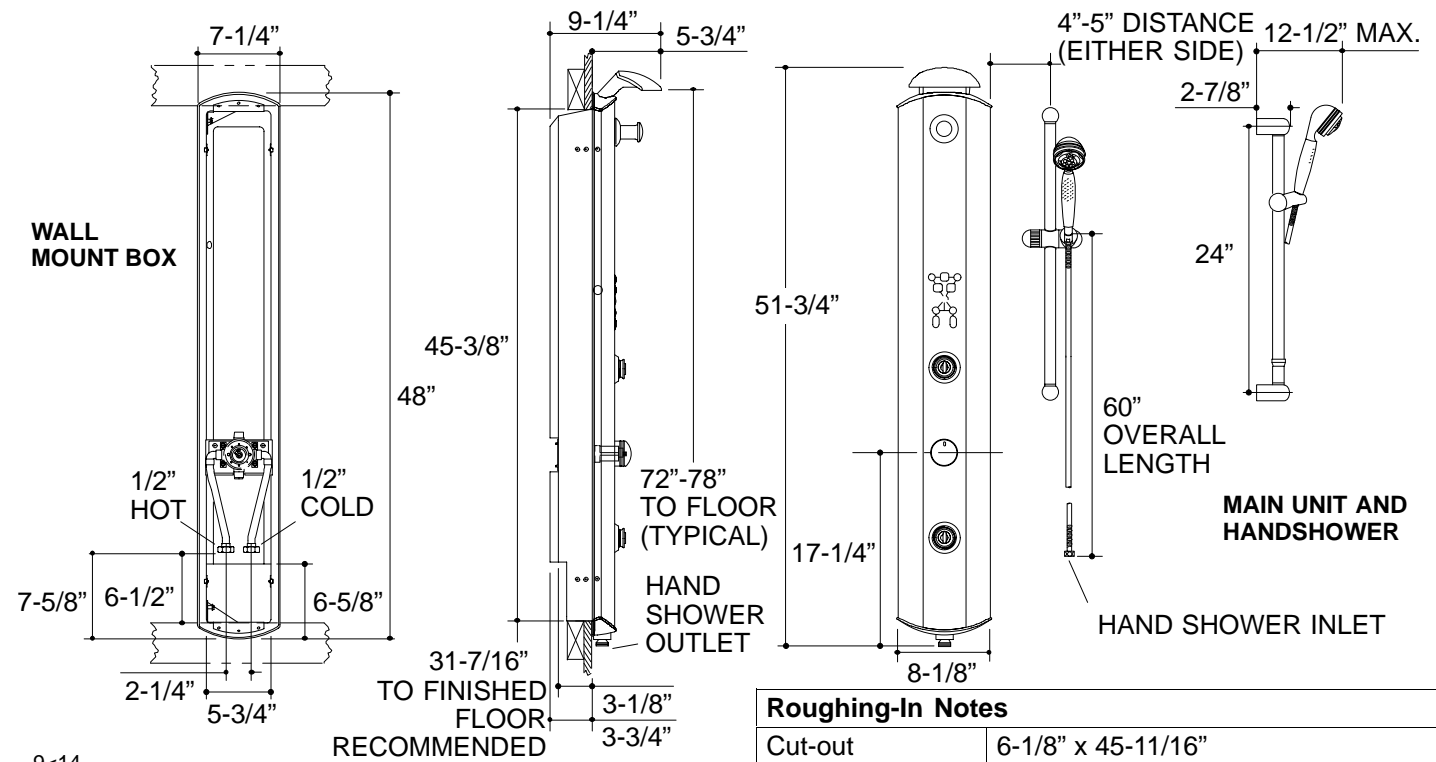
Wall mount box installs into a standard 2x4 framing depth.

Horizontal cross members are required. Vertical studs are not required for installation but may be necessary to support thin-walled surfaces around the mounting box opening.

Risers must extend 7" above bottom cross member for mounting box.

Distance from transformer to tower assembly is a maximum of 12 feet.

Hand shower slide bar requires mounting to wall stud; for adequate hose reach, do not mount higher than wall mount box.



.9<14

**K-75 MasterShower<sup>™</sup> With Handshower**  
113834-1-BA (A)

**KOHLER<sup>®</sup>**

**NOTES:**