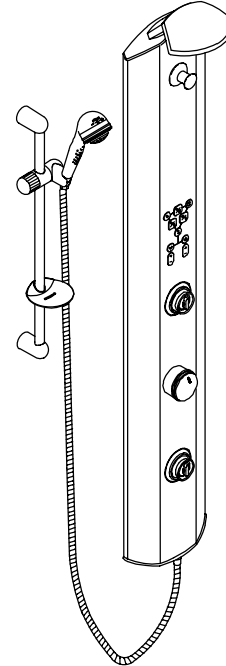


**TOWER WITH HANDSHOWER KIT  
K-75**

ADA

**FEATURES**

- Brass construction
- Brass valve body
- Rite-Temp pressure-balancing diaphragm design valve
- High-temperature limit stop
- Pressure-balancing mechanism of one-piece diaphragm cartridge design for ease of maintenance
- Mixing valve cycles from “cold” to “hot”
- Mastershower three-way handshower
- Two oscillating/pulsating adjustable bodysprays
- Electronic keypad
- 24” shower slide bar
- Clear acrylic soap dish
- 60” metal shower hose with swivel base
- Integral accessory hook
- Handshower – 2.5 gallons per minute
- Sheetflow spout – 2.5 gallons per minute
- Dual bodysprays – 2.5 gallons per minute combined



**CODES/STANDARDS APPLICABLE**

Specified model meets or exceeds the following:

- ASME/ANSI A112.18.1M
- ASSE/ANSI 1016
- Energy Policy Act of 1992
- IAPMO/UPC
- Underwriter’s Laboratory (UL)

**COLORS/FINISHES**

- CP Polished Chrome
- PB Polished Brass
- Other Refer to Faucets Price Book for additional finishes

**SPECIFIED MODEL:**

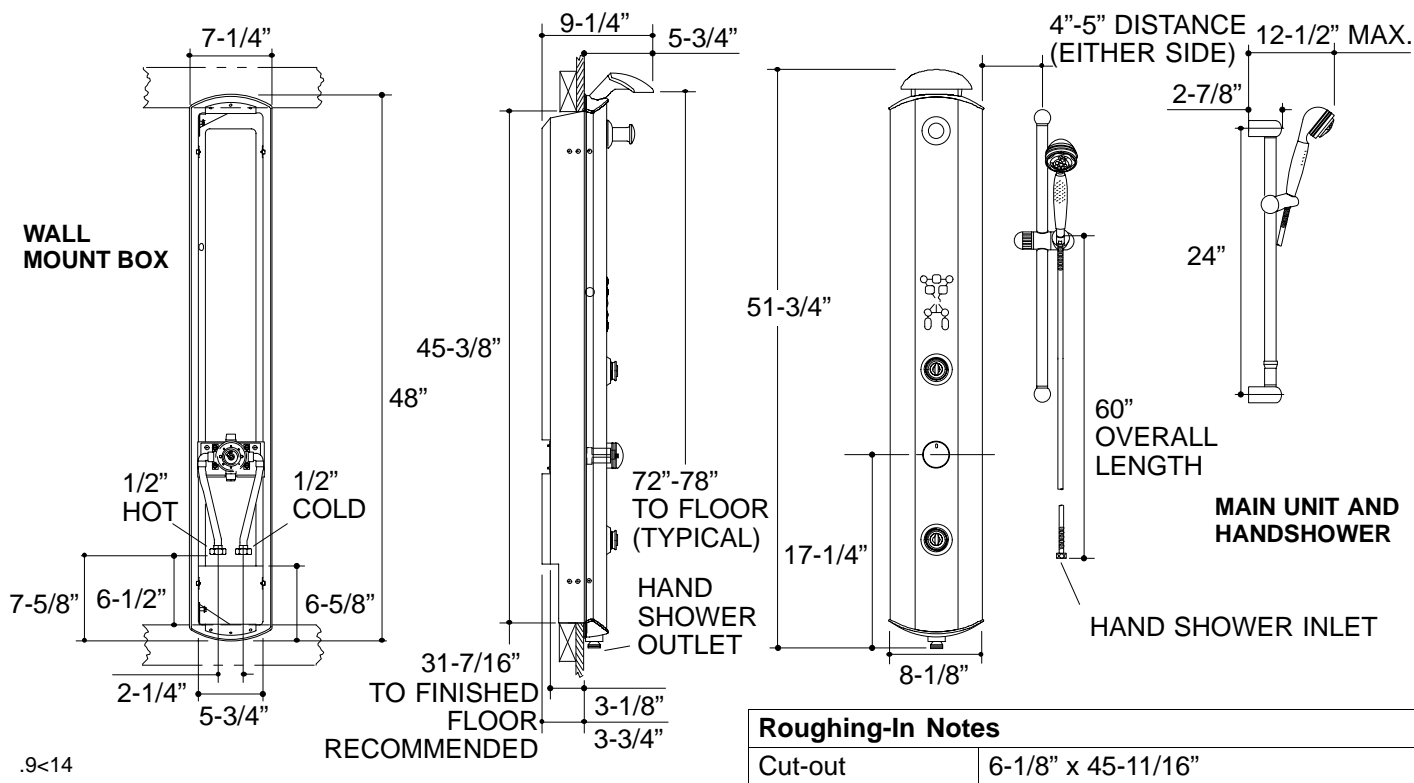
Model	Description			
K-75	MasterShower Tower and Handshower Kit	<input type="checkbox"/> CP	<input type="checkbox"/> PB	<input type="checkbox"/> Other_____

**PRODUCT SPECIFICATION:**

Wall-mount MasterShower tower shall feature handshower kit, two oscillating/pulsating adjustable bodysprays, Sheetflow spout, and is controlled by an electronic keypad. The valve shall mix the water from the “off” position, through the “cold” to the “hot”, and includes a high-temperature limit stop. The pressure-balancing mechanism shall be of one-piece diaphragm cartridge design for ease of maintenance. Handshower kit shall include a Mastershower three-way handshower, 24” slide bar, clear acrylic soap dish, and a 60” metal shower hose with swivel base. Standard 120 Volt, and separate circuit protected with Class A GFCI, are required. 1/2” hot and cold water supplies, and a minimum of 40 psi static water pressure are required. Product shall be Kohler Model K-75-\_\_\_\_\_.

# MASTERSHOWER™

Dedicated circuit required, protected with Class A Ground-Fault Circuit-Interrupter (GFCI):	
Rating	120 V., 60 Hz, 60 watts
Service rating	120 V., 15 A, 60 Hz
Minimum static water pressure	40 p.s.i.



.9<14

## PRODUCT DIAGRAM