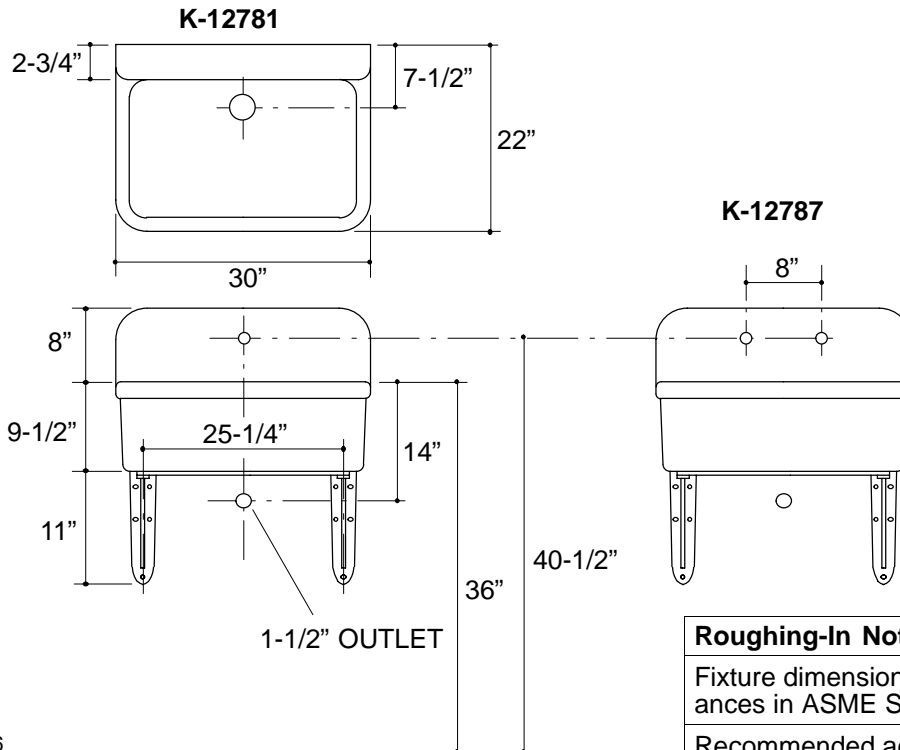


Ordering Information

Applicable product:		
Single-hole sink	K-12781	shown
8" centers sink	K-12787	not shown
Accessories/hardware:		
Brackets	K-1814	required*
Drain	K-9115	optional
Trap	K-9000	optional
*Recommended for configuration illustrated.		

Product Information

Fixture*:		basin area	water depth
Sink		28" x 18"	8-5/8"
Outlet	2-1/4" D.		
Faucet hole	1-3/8" D.		
* Approximate measurements for comparison only.			



.7<116

Roughing-In Notes

Fixture dimensions are nominal and conform to tolerances in ASME Standard A112.19.2M.

Recommended accessories/hardware are shown.