

Ordering Information

Accessories/hardware:		
Jet trim kit	K-9694	required
Drain	K-7161-AF	recommended
Apron	K-1278	optional
Vinyl tiling-in bead*	K-1177	optional
*Use K-1177 vinyl bead when wall material contacts any top surface of bath.		

Required Electrical Service

Dedicated circuit required, protected with Class A Ground-Fault Circuit-Interrupter (GFCI):	
Pump/control	120 V., 20 A, 60 Hz

Product Information

Fixture*:	basin area	top area	weight
Bathing well	44" x 22"	55" x 25"	107 lbs.
	water depth	capacity	
To overflow	15"	68 gal.	

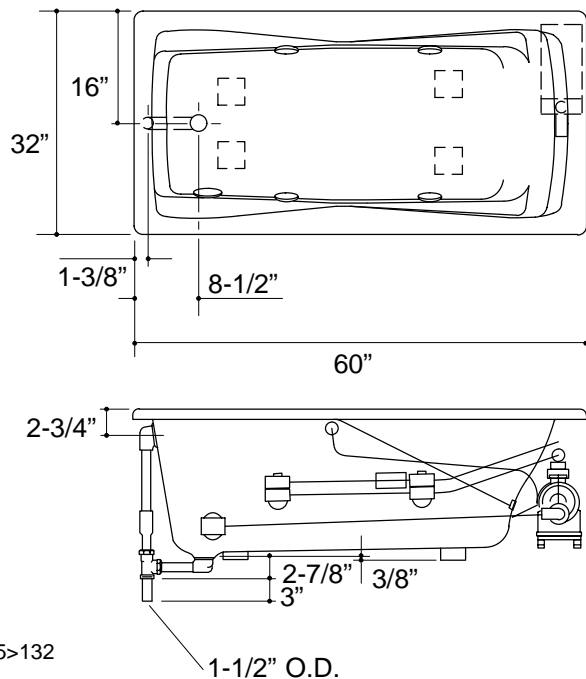
* Approximate measurements for comparison only.

Pump	high HP	low HP	V	Hz	A
2-speed	1	1/8	120	60	16.5

Installation Notes

Refer to installation instructions included with fixture before beginning installation.

Each pump is supplied with a grounding type plug-in cord. Locate the outlet behind the whirlpool, and within 24" of the pump.



Roughing-In Notes

Fixture conforms to ANSI Standard Z124.1. All dimensions are nominal.

No change in measurements if connected with drain illustrated.

Cut-out	58-1/2" x 30-1/2"
---------	-------------------

Minimum access panel:

Pump/control	20" W x 15" H	required
--------------	---------------	----------

PUMP/CONTROL ACCESS

