

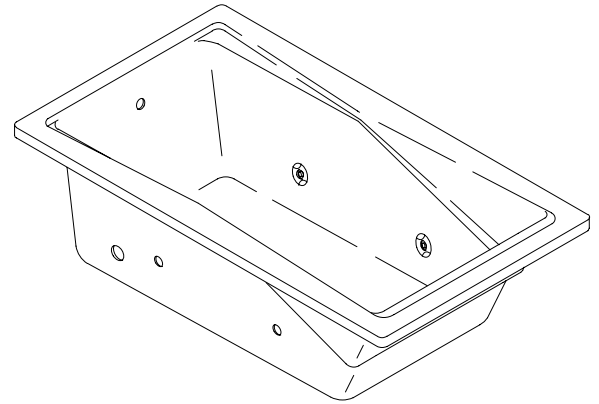
### FEATURES

- 60" x 30" x 17"
- Acrylic
- System I - 3/4 hp pump with air switch actuator
- 4 factory-installed color-matched plastic Flexjets
- UL Listed
- ADA compliant when installed with seat at head end
- Optional K-1279 front apron
- Pump is supplied with a grounding-type plug-in cord

### CODES/STANDARDS APPLICABLE

Specified model meets or exceeds the following:

- ANSI Z124.1
- ASME/ANSI A112.19.7M
- IAPMO/UPC
- Underwriters Laboratories (UL)
- State of Massachusetts
- Dade County, Florida
- City of Los Angeles, CA



### COLORS/FINISHES

- 0 White
- Other Refer to Fixtures Price Book for additional colors

#### Accessories:

- CP Polished Chrome
- PB Polished Brass
- Other Refer to Faucets Price Book for additional finishes
- NA None Applicable

### SPECIFIED MODEL:

Model	Description	Colors/Finishes		
K-1201	30 bath whirlpool	<input type="checkbox"/> 0 White	<input type="checkbox"/> Other_____	
<b>Recommended Accessories</b>				
K-7161-AF	Drain	<input type="checkbox"/> CP	<input type="checkbox"/> PB	<input type="checkbox"/> Other_____
<b>Optional Accessories</b>				
K-1279	Apron (removable)	<input type="checkbox"/> 0 White	<input type="checkbox"/> Other_____	
K-9694	Flexjet trim kit (metal finishes)	<input type="checkbox"/> CP	<input type="checkbox"/> PB	<input type="checkbox"/> Other_____
K-1177	Vinyl tiling-in bead (use when wall material contacts any top surface of bath)	<input type="checkbox"/> NA		

### PRODUCT SPECIFICATION:

The bath whirlpool shall be 60" in length, 30" in width, and 17" in height. Bath whirlpool shall be made of acrylic. Bath whirlpool shall have System I, 3/4 hp pump with air switch actuator. Bath whirlpool shall have 4 factory-installed color-matched plastic Flexjets. Bath whirlpool shall be UL listed. Bath whirlpool shall have optional K-1279 front apron. Bath whirlpool pump shall be supplied with a grounding-type plug-in cord. Bath whirlpool shall be Kohler Model K-1201-\_\_\_\_\_.

# HOURGLASS™

## REQUIRED ELECTRICAL SERVICE

Dedicated circuit required, protected with Class A Ground-Fault Circuit-Interrupter (GFCI):	
Pump/control	120 V., 15 A, 60 Hz

## PRODUCT INFORMATION

Fixture*:	basin area	top area	weight
Bathing well	42" x 17"	55" x 25"	93 lbs.
	water depth	capacity	
To overflow	12-1/8"	50 gal.	

\* Approximate measurements for comparison only.

Pump:	HP	V	Hz	A
1-speed	3/4	120	60	10.5

## INSTALLATION NOTES

Each pump is supplied with a grounding-type plug-in cord. Locate the outlet behind the whirlpool, and within 24" of the pump.

The apron must be installed before the finish floor and wall materials are installed.

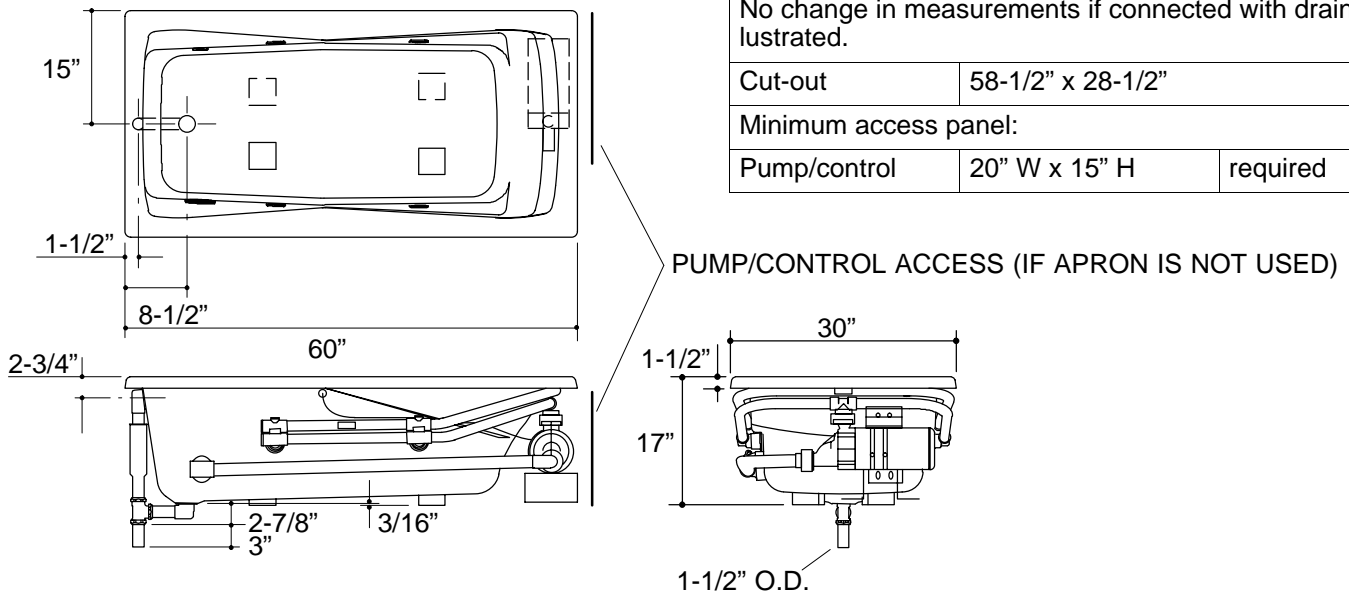
### Roughing-In Notes

No change in measurements if connected with drain illustrated.

Cut-out	58-1/2" x 28-1/2"
---------	-------------------

Minimum access panel:

Pump/control	20" W x 15" H	required
--------------	---------------	----------



1.25>132

## PRODUCT DIAGRAM